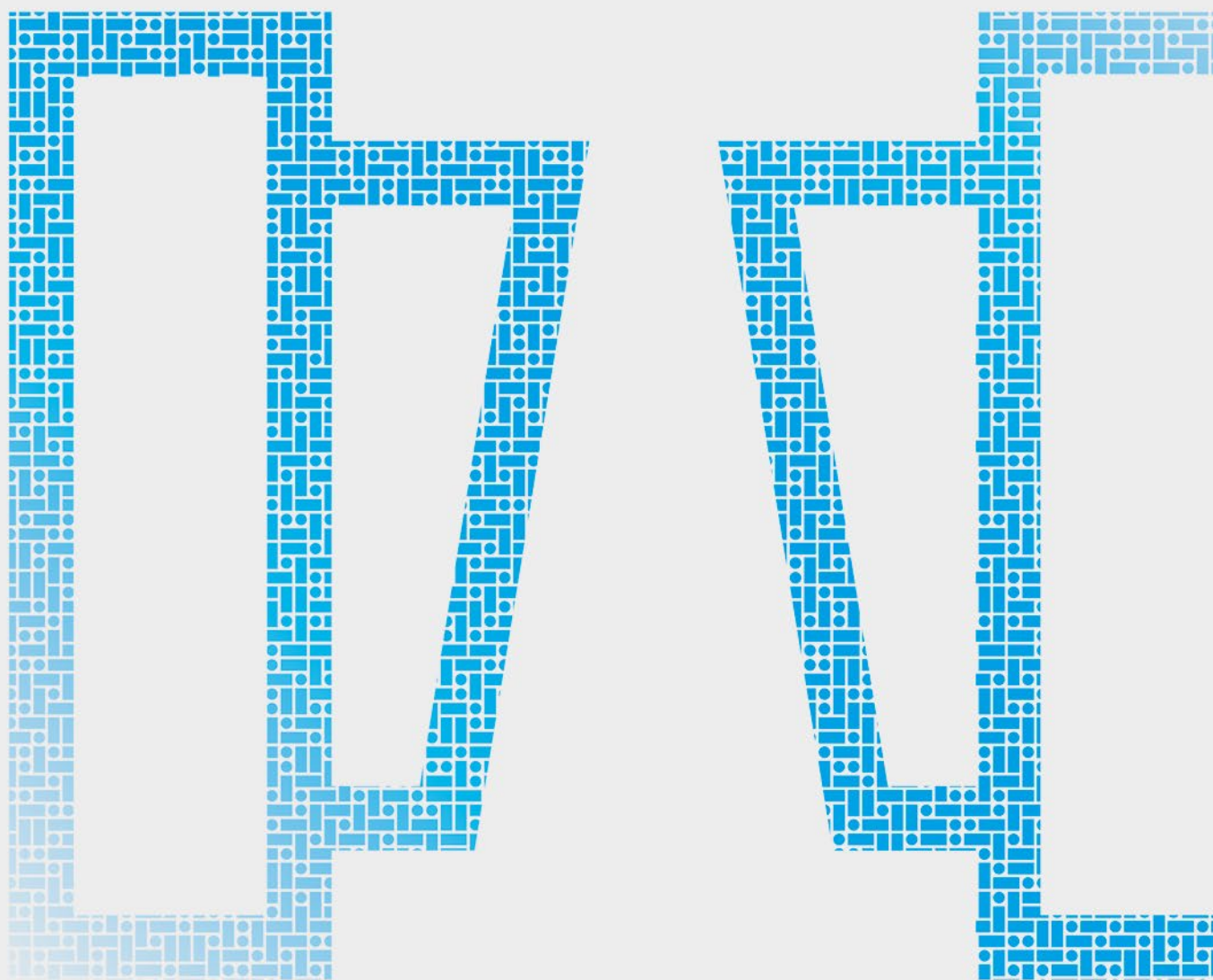


PEDESTRIAN ACCESS CONTROL SYSTEMS



Turnstiles, speed gates and high security solutions



CAME 
ÖZAK

CAME.COM

CAME  **ÖZAK**

GENERAL INDEX

3	GENERAL INDEX
4	VISION
5	MISSION
6	WE'VE BEEN SPEAKING ABOUT QUALITY LIVING, IN ALL THE WORLD'S LANGUAGES, FOR 50 YEARS
7	THE CAME OFFER
8	OUR WORLDWIDE NETWORK
10	EXTENSIVE SOLUTIONS OVER 40 YEARS FOR SECURITY AND WELL-BEING OF THE PEOPLE AROUND THE GLOBE.
11	TIMELINE

13 WAIST HEIGHT TURNSTILES

14	602
15	602 D
18	500 E
19	500 E D
21	FKR 777
23	702 R N1
26	700 E N1
27	700 E N1 D

31 TURNSTILES FOR REDUCED MOBILITY

32	605
33	605 D
34	705 E N1
35	705 E N1 D

39 FREE PASSAGE TURNSTILES

40	SWG 101
41	MRKT 404

43 SPEED GATES

44	HG 01
46	HG 02 GL
50	HG 02 GL DP
52	SG 55 SLIDING GATE
56	SG 90 SLIDING GATE
58	PG 03 55 PADDLE GATE
60	PG 03 90 PADDLE GATE

63 GLASS LINE

64	GL A1
65	GL B1
67	GL A2

69 HALF HEIGHT TURNSTILES

70	HT 400
71	HT 400 D

74 FULL HEIGHT TURNSTILES

75	DK 300
76	BT 312
77	BT 312 D
78	BTX 300 N1
79	BTX 300 N1 D
82	BTC 300
83	BTC 300 D
85	DK 400
88	BT 402
89	BT 402 D
90	BTX 400 N1
91	BTX 400 N1 D
94	BTC 400
95	BTC 400 D

97 EXIT GATES

98	BT 100 (MOTORIZED)
99	PEGA 100 (MANUAL)

101 GLASS FULL HEIGHT SERIES

102	BT 302 GL
103	BT 402 GL

105 HIGH SECURITY SERIES

106	CGG - SQ - AIR
112	CGG 100
114	CGC 100

116	ACCESSORIES
117	CUSTOMISATIONS

VISION

VISION

We believe in a world where sustainable technological innovation makes people's lives more comfortable, simple and secure

WMS

Goals

MISSION

To create a global offer of high-quality technological products and solutions for automation, smart homes, access control and security to improve our customers lives and our partners business

CAME 
MORE THAN TECHNOLOGY

WE'VE BEEN SPEAKING ABOUT QUALITY LIVING, IN ALL THE WORLD'S LANGUAGES, FOR 50 YEARS.

50TH
ANNIVERSARY

CAME has catered to people's needs for 50 years by using technology as a key to a quality life. Every project drives our innovation and focus to make people's lives as comfortable as possible. CAME is a company where skills and experience come into play. Its know how blends functionality and design continuously improving performance.

You are sure that you can rely on professionals able to transform our innovations into solutions, to create customized automation proposals integrated with the best connectivity and mobility technologies. CAME and its partners, together, to satisfy its increasingly demanding and heterogeneous customers for their culture and needs, in order to transform living spaces into more intelligent and safe places.

CAME 

CAME † BPT

CAME † URBACO

CAME † BTECH

CAME † ÖZAK

CAME † GO

CAME † PARKARE

CAME † KMS

CAME † NEPOS

CAME † ENTROTEC

ALWAYS ONE-STEP-AHEAD

CAME is a market-leading brand that makes integrated automation solutions, video-entry, access control and parking systems for the public and private sectors.

The CAME Group boasts a series of highly specialized companies. Together they cover a large share of their market. The group delivers cutting-edge solutions for the residential, business and urban segments. Whether its home automation or heating control, road barriers and high-security bollards, or automatic doors and sectional industrial doors, CAME Group is a key player.

Today CAME is set on one, distinct corporate vision, which makes the organization a cutting-edge technological partner.

RESIDENTIAL SOLUTIONS



We have gone on to develop an idea of home automation that is increasingly integrated and connected with people's lives. Today, automation is at the heart of the home, managing entrances and garage doors, controlling blinds and shutters, video entry systems and climate control.



BUSINESS SOLUTIONS



For every public area, we offer the most sophisticated systems for pedestrian and vehicle access control and security, video entry systems and parking solutions. Small and large companies, commercial enterprises, large buildings: CAME-branded automation provide control and safety in both small and large working environments.

URBAN SOLUTIONS



The complexity involved in living spaces and in mobility flows require ever greater protection and security, plus enhanced reactive capacity and greater know-how. Our offer is geared to meet the different automation needs for urban planning and architectural scenarios. CAME solutions are engineered for managing safety and control in large works and for contributing to the planning of urban spaces making them "Safe and Smart", as called for in today's fast-paced, metropolitan centres.



OUR WORLDWIDE NETWORK.

We are a worldwide network.

From the Treviso head office, home to the group's thriving core, we coordinate 11 manufacturing plants and 10 R&D units. We have subsidiaries in 20 countries and, thanks to our commercial partner and distributors, we operate in 118 countries with an integrated and global vision.

We are the technology partner for those projects that require integrated systems for improving the quality of our living space – whether private or public. Our products are made for controlling homes, managing urban venues and workplaces, of any kind, anywhere in the world.

Our Group shares common goals, which go well beyond our respective specializations: thanks to the synergies that exist among all the divisions and brands, we share a modus operandi that enriches our diversity.

BRANCHES AMERICA

Brazil
Canada
Mexico
Perù
USA

2000

OUR PEOPLE AROUND THE WORLD





CAME HQ
Treviso, Italy



**BRANCHES
EUROPE**

- | | |
|-------------|----------|
| Italy | Poland |
| Belgium | Portugal |
| Croatia | Russia |
| France | Spain |
| Germany | UK |
| Ireland | Turkey |
| Netherlands | |

10

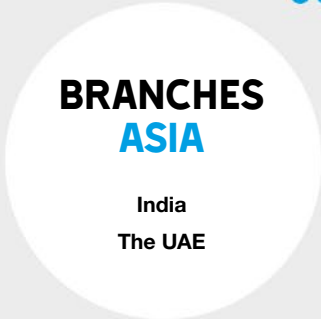
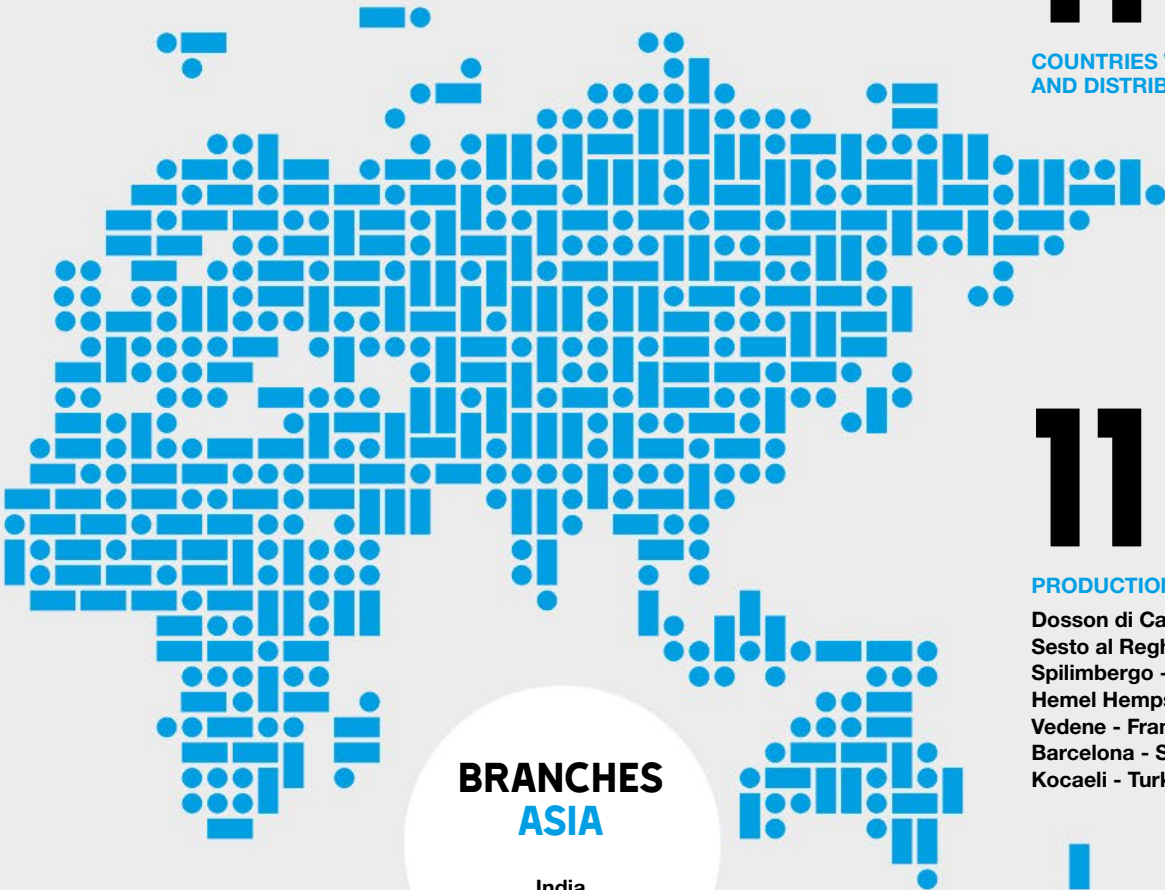
R&D CENTRES

20

COUNTRIES WITH DIRECT BRANCHES

118

COUNTRIES WITH PARTNERS AND DISTRIBUTORS



**BRANCHES
ASIA**

- India
- The UAE

11

PRODUCTION PLANTS

- Dosson di Casier - Italy
- Sesto al Reghena - Italy
- Spilimbergo - Italy
- Hemel Hempstead - UK
- Vedene - France
- Barcelona - Spain
- Kocaeli - Turkey



480

WORLDWIDE DISTRIBUTORS AND PARTNERS

EXTENSIVE SOLUTIONS OVER 40 YEARS FOR SECURITY AND WELL-BEING OF THE PEOPLE AROUND THE GLOBE.



CAME ÖZAK, a global player, has incorporated one of the widest range of products offering solutions in pedestrian and vehicle access control fields. We owe our success to our talented designers and engineers along with our flexible manufacturing processes.

Understanding needs of the people, thus providing customised solutions tailored to expectations has made our offering a choice for numerous residential, governmental, urban and sports facilities. Our fully integratable, user friendly and high performance solutions are available with our solution partners all over the world.

TIMELINE

1976



Foundation

Ozak was founded by Ozalp Family.

1989



First Turnstile

Started to produce turnstiles and gates.

2006



Increase in Production

Reached 1.000 units per year.

2008



Facility Expansion

Production facilities reached 2.700 m² from 500 m².

2009



New Segment

Launched Road Blocker & Bollards products.

2010



Facility Expansion

Production facilities reached 3.600 m² from 2.700 m².

2012



Growth in Export Markets

Export sales reached more than 50% of turnover.

2013



Increase in Production

Reached 5.000 units per year.

2018



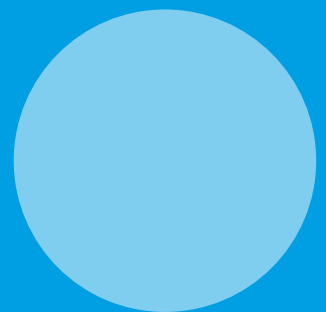
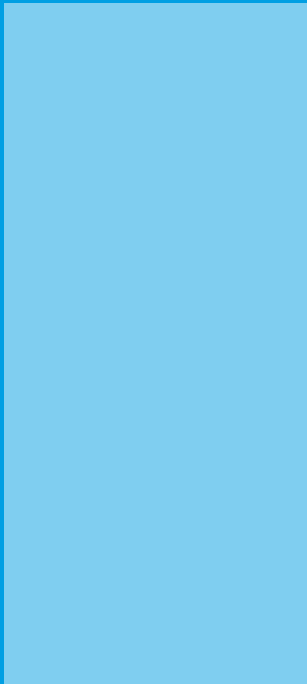
Facility Expansion

Production facilities reached 33.700 m² of which 21.000 m² is covered area.

2019

CAME  **ÖZAK**

Özak becomes part of CAME.

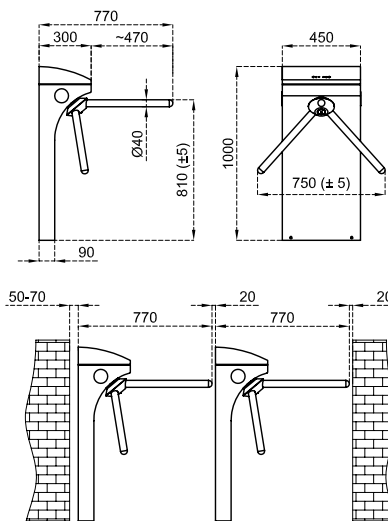


WAIST HEIGHT TURNSTILES

14	602
15	602 D
18	500 E
19	500 E D
21	FKR 777
23	702 R N1
26	700 E N1
27	700 E N1 D

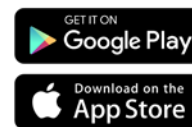


Dimensions (mm)



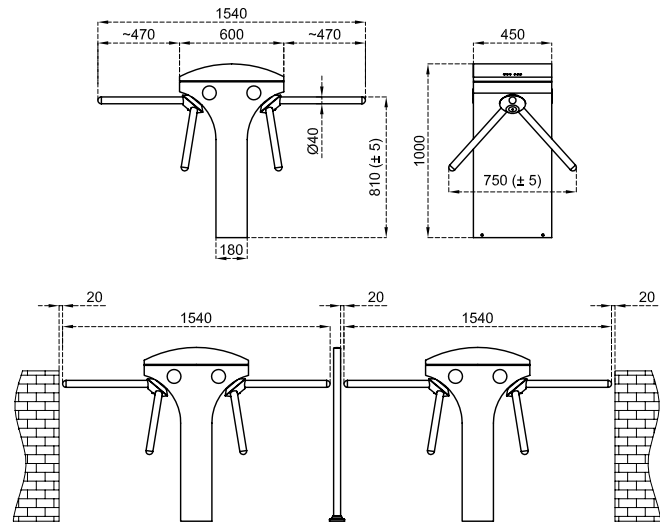
Technical Features

Place of Use	Indoors, outdoors.	
Operating Temperature, Humidity	-20°C/+68°C (opt. -50°C with heater positive), RH %95 non-condensing.	
Operating Intensity	%100, 7/24 use.	
Body Features	Material	: 304 grade (opt. 316 grade) stainless steel.
	Finishing	: Orbital brushed matt (opt. electrostatic powder coating on stainless steel).
Arms	Automatic Drop (Retractable) Arm	: Optional
	Material	: Ø40x2 mm 304 grade (opt. 316 grade) stainless steel, one by one demountable.
	Finishing	: Satine brushed (opt. orbital brushed matt, electrostatic powder coating on stainless steel).
Indicators	Side Status / Direction Indicators	: LED, standard.
	Top Passage Indicator	: LED, standard.
Power	Operating Voltage	: 110/220V AC 50/60 Hz. (%±10), 24V DC.
	Consumption	: ~3,4W at stand-by, during passage ~2,7W (varies according to the options and accessories used).
Operating Modes	System operates bi-directionally (entry-exit). Operation modes can be changed through dip switch, IOS and/or android app.	
	Entry - exit controlled	Entry controlled, exit free
	Entry free, exit controlled	
	Single input both directions use	Entry - exit free
Operating System	Electromechanical manual operation (opt. electromechanical motorized operation).	
Control System	All functions, parameters and operating modes can be changed through the control board (microprocessor controlled), IOS and/or android app. Firmware can be updated. All past function updates and changes are kept in the server and records can be traced. All inputs are opto-coupler protected. Controllable by dry contact (ground control). Compatible with all kinds of access control device. Optional RS232-RS485-TCP/IP module is available.	
Flow Rate	Capacity of mechanism (manual)	: Max. 82 cycle/min. Nominal : ~30 pass/min.
	Capacity of mechanism (motorized)	: Max. 75 cycle/min. Nominal : ~25 pass/min. (Passage rate can change depending on the access control system utilized)
Emergency Mode	System allows free passage (entry-exit) in both directions (fail safe). Works compatible with fire warning and similar systems. At the end of an emergency situation, system returns to its normal operating mode.	
Power-off Situation	System allows free passage (entry-exit) in both directions (fail safe). Optionally, can be set (fail secure) as; entry-exit locked, entry free-exit locked, or entry locked-exit free. Free passage in chosen direction by manual override key in fail secure option is available.	
Weight	~35 kg	
Optional Features and Accessories	Automatic drop (retractable) arm, motor driven unit, wireless remote control (receiver-transmitter), manual control, manual override key (with fail secure option), coin slot and coin box, single/multiple intelligent coin/token slot and box, counter (with/without reset), card reader mounting bracket, photocell alarm sensor, passage completion sensor, contactless passage sensor (for motorized models), heater positive, top lid weight sensor, bottom plate, battery back-up, 316 grade stainless steel, RS232-RS485-TCP/IP modules, limiter, electrostatic powder coating on stainless steel.	



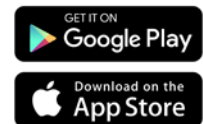


Dimensions (mm)



Technical Features

Place of Use	Indoors, outdoors.
Operating Temperature, Humidity	-20°C/+68°C (opt. -50°C with heater positive), RH %95 non-condensing.
Operating Intensity	%100, 7/24 use.
Body Features	Material : 304 grade (opt. 316 grade) stainless steel. Finishing : Orbital brushed matt (opt. electrostatic powder coating on stainless steel).
Arms	Automatic Drop (Retractable) Arm : Optional Material : Ø40x2 mm 304 grade (opt. 316 grade) stainless steel, one by one demountable. Finishing : Satine brushed (opt. orbital brushed matt, electrostatic powder coating on stainless steel).
Indicators	Side Status / Direction Indicators : LED, standard. Top Passage Indicator : LED, standard.
Power	Operating Voltage : 110/220V AC 50/60 Hz. (%±10), 24V DC. Consumption : ~6,8W at stand-by, during passage ~2,7+2,7W (varies according to the options and accessories used).
Operating Modes	System operates bi-directionally (entry-exit). Operation modes can be changed through dip switch, IOS and/or android app. Entry - exit controlled Entry controlled, exit free Entry free, exit controlled Single input both directions use Entry - exit free
Operating System	Electromechanical manual operation (opt. electromechanical motorized operation).
Control System	All functions, parameters and operating modes can be changed through the control board (microprocessor controlled), IOS and/or android app. Firmware can be updated. All past function updates and changes are kept in the server and records can be traced. All inputs are opto-coupler protected. Controllable by dry contact (ground control). Compatible with all kinds of access control device. Optional RS232-RS485-TCP/IP module is available.
Flow Rate	Capacity of mechanism (manual) : Max. 164 cycle/min. Nominal : ~60 pass/min. Capacity of mechanism (motorized) : Max. 150 cycle/min. Nominal : ~50pass/min. (Passage rate can change depending on the access control system utilized)
Emergency Mode	System allows free passage (entry-exit) in both directions (fail safe). Works compatible with fire warning and similar systems. At the end of an emergency situation, system returns to its normal operating mode.
Power-off Situation	System allows free passage (entry-exit) in both directions (fail safe). Optionally, can be set (fail secure) as; entry-exit locked, entry free-exit locked, or entry locked-exit free. Free passage in chosen direction by manual override key in fail secure option is available.
Weight	~55 kg
Optional Features and Accessories	Automatic drop (retractable) arm, motor driven unit, wireless remote control (receiver-transmitter), manual control, manual override key (with fail secure option), coin slot and coin box, single/multiple intelligent coin/token slot and box, counter (with/without reset), card reader mounting bracket, photocell alarm sensor, passage completion sensor, contactless passage sensor (for motorized models), heater positive, top lid weight sensor, bottom plate, battery back-up, 316 grade stainless steel, RS232-RS485-TCP/IP modules, limiter, electrostatic powder coating on stainless steel.



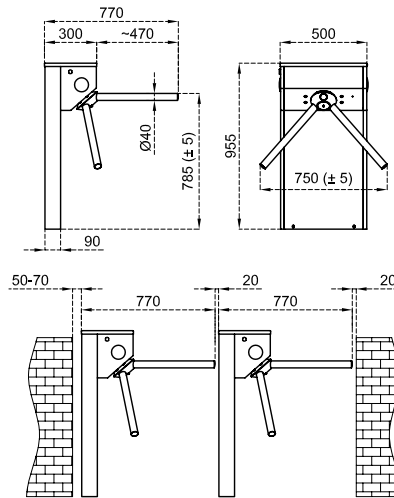






500 E



Dimensions (mm)

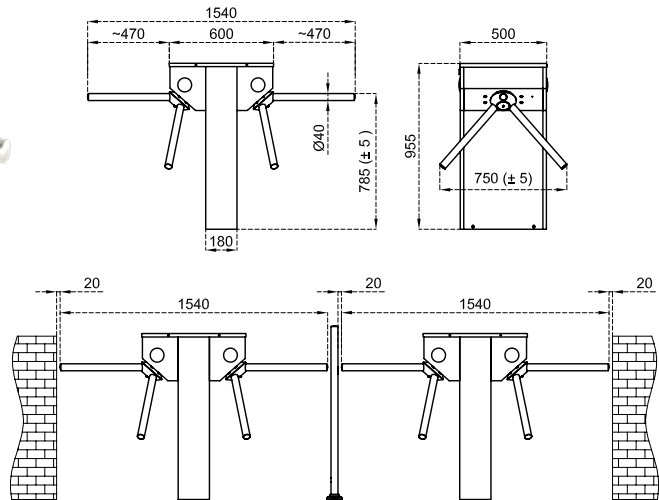


Technical Features



Place of Use	Indoors, outdoors
Operating Temperature, Humidity	-20°C/+68°C (opt. -50°C with heater positive), RH %95 non-condensing.
Operating Intensity	%100, 7/24 use.
Body Features	Material : 304 grade (opt. 316 grade) stainless steel. Finishing : Orbital brushed matt (opt. electrostatic powder coating on stainless steel).
Arms	Automatic Drop (Retractable) Arm : Optional Material : Ø40x2 mm 304 grade (opt. 316 grade) stainless steel, one by one demountable. Finishing : Satine brushed (opt. orbital brushed matt, electrostatic powder coating on stainless steel)
Indicators	Side Status / Direction Indicators :   LED, standard.
Power	Operating Voltage : 110/220V AC 50/60 Hz. (%±10), 24V DC. Consumption : ~3,1W at stand-by, during passage ~2,6W (varies according to the options and accessories used).
Operating Modes	System operates bi-directionally (entry-exit). Operation modes can be changed through dip switch, IOS and/or android app. Entry - exit controlled Entry controlled, exit free Entry free, exit controlled Single input both directions use Entry - exit free
Operating System	Electromechanical manual operation (opt. electromechanical motorized operation).
Control System	All functions, parameters and operating modes can be changed through the control board (microprocessor controlled), IOS and/or android app. Firmware can be updated. All past function updates and changes are kept in the server and records can be traced. All inputs are opto-coupler protected. Controllable by dry contact (ground control). Compatible with all kinds of access control device. Optional RS232, RS485 or TCP/IP module is available.
Flow Rate	Capacity of mechanism (manual) : Max. 82 cycle/min. Nominal : ~30 pass/min. Capacity of mechanism (motorized) : Max. 75 cycle/min. Nominal : ~25 pass/min. (Passage rate can change depending on the access control system utilized)
Emergency Mode	System allows free passage (entry-exit) in both directions (fail safe). Works compatible with fire warning and similar systems. At the end of an emergency situation, system returns to its normal operating mode.
Power-off Situation	System allows free passage (entry-exit) in both directions (fail safe). Optionally, can be set (fail secure) as; entry-exit locked, entry free-exit locked, or entry locked-exit free. Free passage in chosen direction by manual override key in fail secure option is available.
Weight	~29 kg
Optional Features and Accessories	Automatic drop (retractable) arm, motor driven unit, wireless remote control (receiver-transmitter), manual control, manual override key (with fail secure option), coin slot and coin box, single/multiple intelligent coin/token slot and box, counter (with/without reset), card reader mounting bracket, photocell alarm sensor, passage completion sensor, contactless passage sensor (for motorized models), heater positive, top lid weight sensor, bottom plate, battery back-up, 316 grade stainless steel, RS232-RS485-TCP/IP modules, limiter, top passage indicator, electrostatic powder coating on stainless steel.



Dimensions (mm)



Technical Features

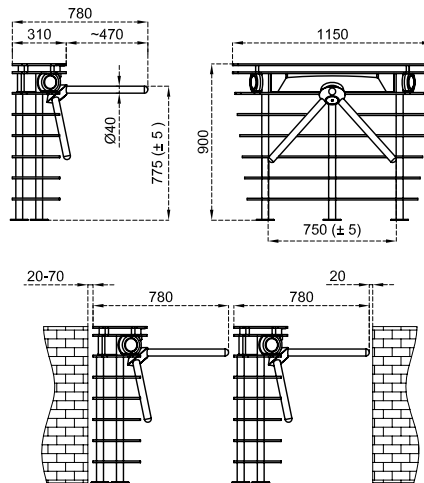
Place of Use	Indoors, outdoors
Operating Temperature, Humidity	-20°C/+68°C (opt. -50°C with heater positive), RH %95 non-condensing.
Operating Intensity	%100, 7/24 use.
Body Features	Material : 304 grade (opt. 316 grade) stainless steel. Finishing : Orbital brushed matt (opt. electrostatic powder coating on stainless steel).
Arms	Automatic Drop (Retractable) Arm : Optional Material : Ø40x2 mm 304 grade (opt. 316 grade) stainless steel, one by one demountable. Finishing : Satine brushed (opt. orbital brushed matt, electrostatic powder coating on stainless steel)
Indicators	Side Status / Direction Indicators :   LED, standard.
Power	Operating Voltage : 110/220V AC 50/60 Hz. (%±10), 24V DC. Consumption : ~6,2W at stand-by, during passage ~2,6+2,6W (varies according to the options and accessories used).
Operating Modes	System operates bi-directionally (entry-exit). Operation modes can be changed through dip switch, IOS and/or android app. Entry - exit controlled Entry controlled, exit free Entry free, exit controlled Single input both directions use Entry - exit free
Operating System	Electromechanical manual operation (opt. electromechanical motorized operation).
Control System	All functions, parameters and operating modes can be changed through the control board (microprocessor controlled), IOS and/or android app. Firmware can be updated. All past function updates and changes are kept in the server and records can be traced. All inputs are opto-coupler protected. Controllable by dry contact (ground control). Compatible with all kinds of access control device. Optional RS232, RS485 or TCP/IP module is available.
Flow Rate	Capacity of mechanism (manual) : Max. 164 cycle/min. Nominal : ~60 pass/min. Capacity of mechanism (motorized) : Max. 150 cycle/min. Nominal : ~50 pass/min. (Passage rate can change depending on the access control system utilized)
Emergency Mode	System allows free passage (entry-exit) in both directions (fail safe). Works compatible with fire warning and similar systems. At the end of an emergency situation, system returns to its normal operating mode.
Power-off Situation	System allows free passage (entry-exit) in both directions (fail safe). Optionally, can be set (fail secure) as; entry-exit locked, entry free-exit locked, or entry locked-exit free. Free passage in chosen direction by manual override key in fail secure option is available.
Weight	~46 kg
Optional Features and Accessories	Automatic drop (retractable) arm, motor driven unit, wireless remote control (receiver-transmitter), manual control, manual override key (with fail secure option), coin slot and coin box, single/multiple intelligent coin/token slot and box, counter (with/without reset), card reader mounting bracket, photocell alarm sensor, passage completion sensor, contactless passage sensor (for motorized models), heater positive, top lid weight sensor, bottom plate, battery back-up, 316 grade stainless steel, RS232-RS485-TCP/IP modules, limiter, top passage indicator, electrostatic powder coating on stainless steel.











Dimensions (mm)



Technical Features

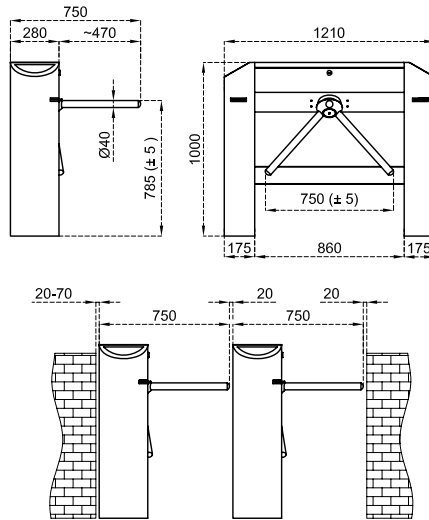
Place of Use	Indoors.
Operating Temperature, Humidity	-20°C/+68°C (opt. -50°C with heater positive), RH %95 non-condensing.
Operating Intensity	%100, 7/24 use.
Body Features	Material : Lower body; art-line design smoke-colored (opt. other colors) layered acrylic. Top lid; 20mm thick star galaxy black natural granite (opt. other patterns and materials). Carrier legs; 304 grade stainless steel.
Arms	Automatic Drop (Retractable) Arm : Optional Material : Ø40x2 mm 304 grade (opt. 316 grade) stainless steel, one by one demountable. Finishing : Satine brushed (opt. orbital brushed matt, electrostatic powder coating on stainless steel).
Indicators	Side Status /Direction Indicators :   LED, standard. Top Passage Indicator :   LED, standard.
Power	Operating Voltage : 110/220V AC 50/60 Hz. (%±10), 24V DC. Consumption : ~3,4W at stand-by, during passage ~2,7W (varies according to the options and accessories used).
Operating Modes	System operates bi-directionally (entry-exit). Operation modes can be changed through dip switch, IOS and/or android app. Entry - exit controlled Entry controlled, exit free Entry free, exit controlled Single input both directions use Entry - exit free
Operating System	Electromechanical manual operation.
Control System	All functions, parameters and operating modes can be changed through the control board (microprocessor controlled), IOS and/or android app. Firmware can be updated. All past function updates and changes are kept in the server and records can be traced. All inputs are opto-coupler protected. Controllable by dry contact (ground control). Compatible with all kinds of access control device. Optional RS232, RS485 or TCP/IP module is available.
Flow Rate	Capacity of mechanism (manual) : Max. 82 cycle/min. Nominal : ~30 pass/min. Capacity of mechanism (motorized) : - Nominal : - (Passage rate can change depending on the access control system utilized)
Emergency Mode	System allows free passage (entry-exit) in both directions (fail safe). Works compatible with fire warning and similar systems. At the end of an emergency situation, system returns to its normal operating mode.
Power-off Situation	System allows free passage (entry-exit) in both directions (fail safe). Optionally, can be set (fail secure) as; entry-exit locked, entry free-exit locked, or entry locked-exit free. Free passage in chosen direction by manual override key in fail secure option is available.
Weight	~35 kg
Optional Features and Accessories	Automatic drop (retractable) arm, wireless remote control (receiver-transmitter), manual control, manual override key (with fail secure option), counter (with/without reset), card reader mounting bracket, photocell alarm sensor, passage completion sensor, heater positive, bottom plate, battery back-up, 316 grade stainless steel, RS232-RS485-TCP/IP modules, limiter, various pattern, color and material choices.







Dimensions (mm)



Technical Features

Place of Use	Indoors, outdoors
Operating Temperature, Humidity	-20°C/+68°C (opt. -50°C with heater positive), RH %95 non-condensing..
Operating Intensity	%100, 7/24 use.
Body Features	Material : 304 grade (opt. 316 grade) stainless steel. Finishing : Orbital brushed matt (opt. electrostatic powder coating on stainless steel).
Arms	Automatic Drop (Retractable) Arm : Standard Material : Ø40x1,2 mm 304 grade (opt. 316 grade) stainless steel, one by one demountable. Finishing : Satine brushed (opt. orbital brushed matt, electrostatic powder coating on stainless steel).
Indicators	Side Status /Direction Indicators : LED, standard. Top Passage Indicator : LED, standard.
Power	Operating Voltage : 110/220V AC 50/60 Hz. (%±10), 24V DC. Consumption : ~3,4W at stand-by, during passage ~2,7W (varies according to the options and accessories used).
Operating Modes	System operates bi-directionally (entry-exit). Operation modes can be changed through dip switch, IOS and/or android app. Entry - exit controlled Entry controlled, exit free Entry free, exit controlled Single input both directions use Entry - exit free
Operating System	Electromechanical motorized operation (opt. electromechanical manual operation).
Control System	All functions, parameters and operating modes can be changed through the control board (microprocessor controlled), IOS and/or android app. Firmware can be updated. All past function updates and changes are kept in the server and records can be traced. All inputs are opto-coupler protected. Controllable by dry contact (ground control). Compatible with all kinds of access control device. Optional RS232, RS485 or TCP/IP module is available.
Flow Rate	Capacity of mechanism (manual) : Max. 82 cycle/min. Nominal : ~30 pass/min. Capacity of mechanism (motorized) : Max. 75 cycle/min. Nominal : ~25 pass/min. (Passage rate can change depending on the access control system utilized)
Emergency Mode	System allows free passage (entry-exit) in both directions by the automatic drop arm (fail safe). Works compatible with fire warning and similar systems. At the end of an emergency situation, system returns to its normal operating mode.
Power-off Situation	System allows free passage (entry-exit) in both directions by the automatic drop arm (fail safe). Optionally, can be set (fail secure) as; entry-exit locked, entry free-exit locked, or entry locked-exit free. Free passage in chosen direction by manual override key in fail secure option is available.
Weight	~48 kg
Optional Features and Accessories	Wireless remote control (receiver-transmitter), manual control, manual override key (with fail secure option), coin slot and coin box, single/multiple intelligent coin/token slot and box, counter (with/without reset), card reader mounting bracket, photocell alarm sensor, passage completion sensor, contactless passage sensor, heater positive, top lid weight sensor, bottom plate, battery back-up, 316 grade stainless steel, RS232-RS485-TCP/IP modules, limiter, electrostatic powder coating on stainless steel, motorized card collector unit and card collection box.



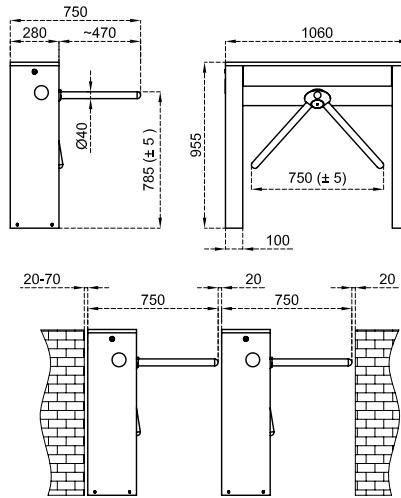






700 E N1



Dimensions (mm)



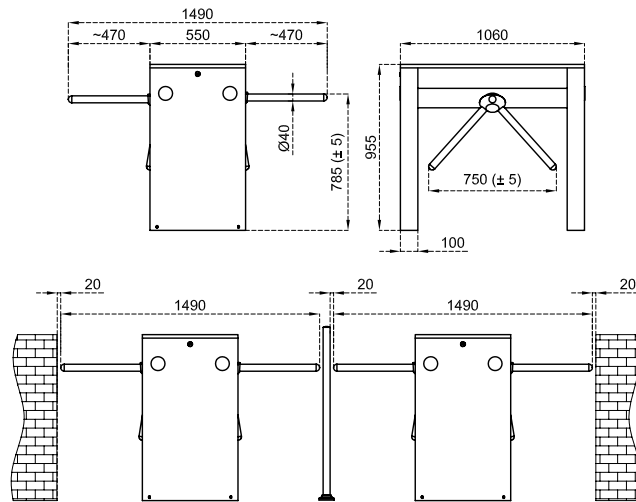
Technical Features

Place of Use	Indoors, outdoors
Operating Temperature, Humidity	-20°C/+68°C (opt. -50°C with heater positive), RH %95 non-condensing.
Operating Intensity	%100, 7/24 use.
Body Features	Material : 304 grade (opt. 316 grade) stainless steel. Finishing : Orbital brushed matt (opt. electrostatic powder coating on stainless steel).
Arms	Automatic Drop (Retractable) Arm : Optional Material : Ø40x2 mm 304 grade (opt. 316 grade) stainless steel, one by one demountable. Finishing : Satine brushed (opt. orbital brushed matt, electrostatic powder coating on stainless steel).
Indicators	Side Status /Direction Indicators :   LED, standard.
Power	Operating Voltage : 110/220V AC 50/60 Hz. (%±10), 24V DC. Consumption : ~3,1W at stand-by, during passage ~2,6W (varies according to the options and accessories used).
Operating Modes	System operates bi-directionally (entry-exit). Operation modes can be changed through dip switch, IOS and/or android app. Entry - exit controlled Entry controlled, exit free Entry free, exit controlled Single input both directions use Entry - exit free
Operating System	Electromechanical manual operation (opt. electromechanical motorized operation).
Control System	All functions, parameters and operating modes can be changed through the control board (microprocessor controlled), IOS and/or android app. Firmware can be updated. All past function updates and changes are kept in the server and records can be traced. All inputs are opto-coupler protected. Controllable by dry contact (ground control). Compatible with all kinds of access control device. Optional RS232, RS485 or TCP/IP module is available.
Flow Rate	Capacity of mechanism (manual) : Max. 82 cycle/min. Nominal : ~30 pass/min. Capacity of mechanism (motorized) : Max. 75 cycle/min. Nominal : ~25 pass/min. (Passage rate can change depending on the access control system utilized)
Emergency Mode	System allows free passage (entry-exit) in both directions (fail safe). Works compatible with fire warning and similar systems. At the end of an emergency situation, system returns to its normal operating mode.
Power-off Situation	System allows free passage (entry-exit) in both directions (fail safe). Optionally, can be set (fail secure) as; entry-exit locked, entry free-exit locked, or entry locked-exit free. Free passage in chosen direction by manual override key in fail secure option is available.
Weight	~35 kg
Optional Features and Accessories	Automatic drop (retractable) arm, motor driven unit, top passage indicator, wireless remote control (receiver-transmitter), manual control, manual override key (with fail secure option), coin slot and coin box, single/multiple intelligent coin/token slot and box, counter (with/without reset), card reader mounting bracket, photocell alarm sensor, passage completion sensor, contactless passage sensor (for motorized models), heater positive, top lid weight sensor, bottom plate, battery back-up, 316 grade stainless steel, RS232-RS485-TCP/IP modules, limiter, electrostatic powder coating on stainless steel, motorized card collector unit and card collection box.







Dimensions (mm)



Technical Features

Place of Use	Indoors, outdoors
Operating Temperature, Humidity	-20°C/+68°C (opt. -50°C with heater positive), RH %95 non-condensing.
Operating Intensity	%100, 7/24 use.
Body Features	Material : 304 grade (opt. 316 grade) stainless steel. Finishing : Orbital brushed matt (opt. electrostatic powder coating on stainless steel).
Arms	Automatic Drop (Retractable) Arm : Optional Material : Ø40x2 mm 304 grade (opt. 316 grade) stainless steel, one by one demountable. Finishing : Satine brushed (opt. orbital brushed matt, electrostatic powder coating on stainless steel).
Indicators	Side Status /Direction Indicators :   LED, standard.
Power	Operating Voltage : 110/220V AC 50/60 Hz. (%±10), 24V DC. Consumption : ~6,2W at stand-by, during passage ~2,6+2,6W (varies according to the options and accessories used).
Operating Modes	System operates bi-directionally (entry-exit). Operation modes can be changed through dip switch, IOS and/or android app. Entry - exit controlled Entry controlled, exit free Entry free, exit controlled Single input both directions use Entry - exit free
Operating System	Electromechanical manual operation (opt. electromechanical motorized operation).
Control System	All functions, parameters and operating modes can be changed through the control board (microprocessor controlled), IOS and/or android app. Firmware can be updated. All past function updates and changes are kept in the server and records can be traced. All inputs are opto-coupler protected. Controllable by dry contact (ground control). Compatible with all kinds of access control device. Optional RS232, RS485 or TCP/IP module is available.
Flow Rate	Capacity of mechanism (manual) : Max. 164 cycle/min. Nominal : ~60 pass/min. Capacity of mechanism (motorized) : Max. 150 cycle/min. Nominal : ~50 pass/min. (Passage rate can change depending on the access control system utilized)
Emergency Mode	System allows free passage (entry-exit) in both directions (fail safe). Works compatible with fire warning and similar systems. At the end of an emergency situation, system returns to its normal operating mode.
Power-off Situation	System allows free passage (entry-exit) in both directions (fail safe). Optionally, can be set (fail secure) as; entry-exit locked, entry free-exit locked, or entry locked-exit free. Free passage in chosen direction by manual override key in fail secure option is available.
Weight	~64 kg
Optional Features and Accessories	Automatic drop (retractable) arm, motor driven unit, top passage indicator, wireless remote control (receiver-transmitter), manual control, manual override key (with fail secure option), coin slot and coin box, single/multiple intelligent coin/token slot and box, counter (with/without reset), card reader mounting bracket, photocell alarm sensor, passage completion sensor, contactless passage sensor (for motorized models), heater positive, top lid weight sensor, bottom plate, battery back-up, 316 grade stainless steel, RS232-RS485-TCP/IP modules, limiter, electrostatic powder coating on stainless steel, motorized card collector unit and card collection box.









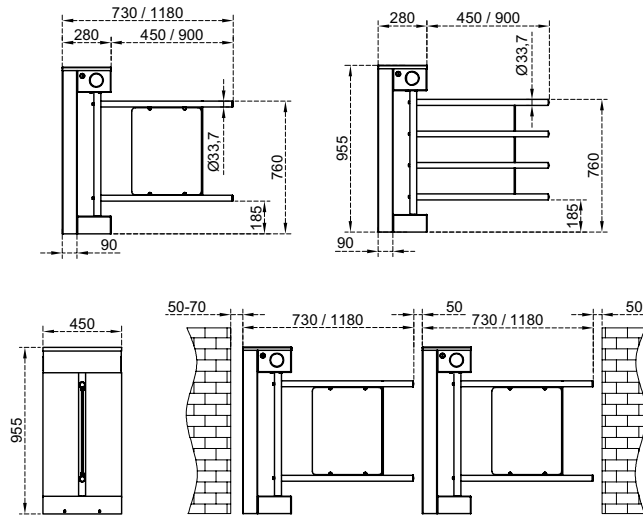
TURNSTILES FOR REDUCED MOBILITY

32	605
33	605 D
34	705 E N1
35	705 E N1 D



705 E N1



Dimensions (mm)



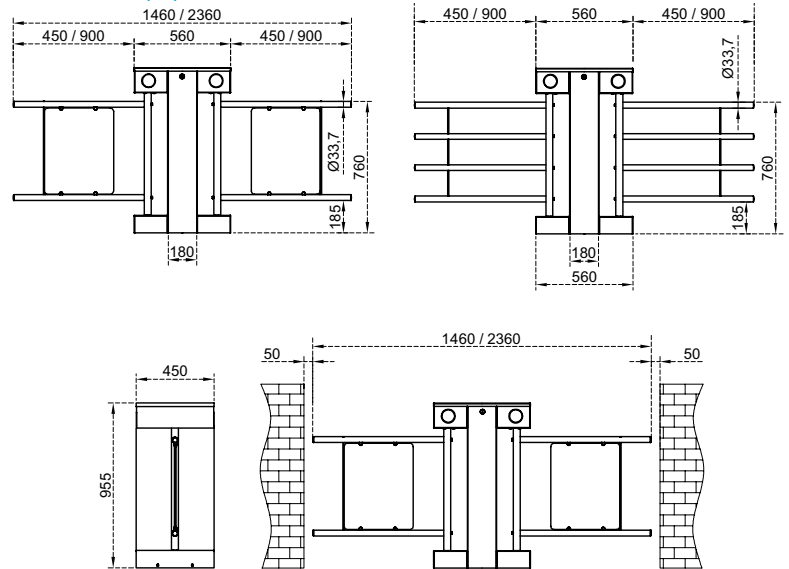
Technical Features

Place of Use	Indoors, outdoors (with wing adaptation)
Operating Temperature, Humidity	-20°C/+68°C (opt. -50°C with heater positive), RH %95 non-condensing.
Operating Intensity	%100, 7/24 use.
Body Features	Material : 304 grade (opt. 316 grade) stainless steel. Finishing : Orbital brushed matt (opt. electrostatic powder coating on stainless steel).
Wing	Material : Ø33,7x1,5 mm 304 grade stainless steel pipe with acrylic infill (for indoor use), Ø33,7x1,5 mm 304 grade stainless steel pipe (for outdoor use). Finishing : Satine brushed (opt. orbital brushed matt, electrostatic powder coating on stainless steel).
Indicators	Side Status/Direction Indicators :   LED, standard.
Power	Operating Voltage : 110/220V AC 50/60 Hz. (±%10), 24V DC. Consumption : ~5W at stand-by, max ~40W (varies according to the options and accessories used).
Operating Modes	System operates bi-directionally (entry-exit). Operation modes can be changed through dip switch, IOS and/or android app. Entry - exit controlled Entry - exit free (with optional photocell) Entry controlled, exit free (with optional photocell) Exit controlled, entry free (with optional photocell)
Operating System	Electromechanical motorized operation.
Control System	All functions, parameters and operating modes can be changed through the control board (microprocessor controlled), IOS and/or android app. Firmware can be updated. All past function updates and changes are kept in the server and records can be traced. All inputs are opto-coupler protected. Controllable by dry contact (ground control). Compatible with all kinds of access control device. Optional RS232, RS485 or TCP/IP module is available.
Flow Rate	Wing opening / closing time : ~1,5 sec.
Emergency Mode	System provides a free passageway (entry-exit) by opening the wing in preferred direction configured by dip switch (fail safe). Works compatible with fire warning and similar systems. At the end of an emergency situation, system returns to its normal operating mode.
Power-off Situation	System provides a free passageway (entry-exit) by manually pushing the wing towards entry or exit directions (fail safe). Optionally, can be set as entry-exit locked (fail secure). Free passageway can be granted by manual override key in fail secure option.
Weight	~33 kg
Optional Features and Accessories	Wireless remote control (receiver-transmitter), manual control, manual override key (with fail secure option), coin slot and coin box, single/multiple intelligent coin/token slot and box, counter (with/without reset), card reader mounting bracket, photocell alarm sensor, heater positive, top lid weight sensor, bottom plate, battery back-up, 316 grade stainless steel, RS232-RS485-TCP/IP modules, limiter, photocell for free mode, top passage indicator, electrostatic powder coating on stainless steel.







Dimensions (mm)



Technical Features

Place of Use	Indoors, outdoors (with wing adaptation)
Operating Temperature, Humidity	-20°C/+68°C (opt. -50°C with heater positive), RH %95 non-condensing.
Operating Intensity	%100, 7/24 use.
Body Features	Material : 304 grade (opt. 316 grade) stainless steel. Finishing : Orbital brushed matt (opt. electrostatic powder coating on stainless steel).
Wing	Material : Ø33,7x1,5 mm 304 grade stainless steel pipe with acrylic infill (for indoor use), Ø33,7x1,5 mm 304 grade stainless steel pipe (for outdoor use). Finishing : Satine brushed (opt. orbital brushed matt, electrostatic powder coating on stainless steel).
Indicators	Side Status/Direction Indicators :   LED, standard.
Power	Operating Voltage : 110/220V AC 50/60 Hz. (±%10), 24V DC. Consumption : ~10W at stand-by, max ~40+40W (varies according to the options and accessories used).
Operating Modes	System operates bi-directionally (entry-exit). Operation modes can be changed through dip switch, IOS and/or android app. Entry - exit controlled Entry - exit free (with optional photocell) Entry controlled, exit free (with optional photocell) Exit controlled, entry free (with optional photocell)
Operating System	Electromechanical motorized operation.
Control System	All functions, parameters and operating modes can be changed through the control board (microprocessor controlled), IOS and/or android app. Firmware can be updated. All past function updates and changes are kept in the server and records can be traced. All inputs are opto-coupler protected. Controllable by dry contact (ground control). Compatible with all kinds of access control device. Optional RS232, RS485 or TCP/IP module is available.
Flow Rate	Wing opening / closing time : ~1,5 sec.
Emergency Mode	System provides a free passageway (entry-exit) by opening the wing in preferred direction configured by dip switch (fail safe). Works compatible with fire warning and similar systems. At the end of an emergency situation, system returns to its normal operating mode.
Power-off Situation	System provides a free passageway (entry-exit) by manually pushing the wing towards entry or exit directions (fail safe). Optionally, can be set as entry-exit locked (fail secure). Free passageway can be granted by manual override key in fail secure option.
Weight	~53 kg
Optional Features and Accessories	Wireless remote control (receiver-transmitter), manual control, manual override key (with fail secure option), coin slot and coin box, single/multiple intelligent coin/token slot and box, counter (with/without reset), card reader mounting bracket, photocell alarm sensor, heater positive, top lid weight sensor, bottom plate, battery back-up, 316 grade stainless steel, RS232-RS485-TCP/IP modules, limiter, photocell for free mode, top passage indicator, electrostatic powder coating on stainless steel.







GİRİŞ

GİRİŞ



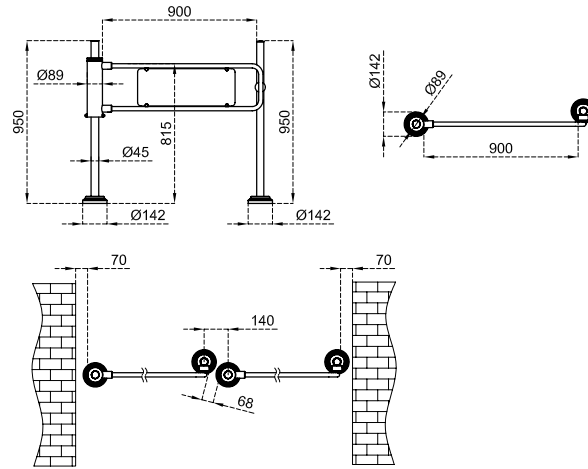
FREE PASSAGE TURNSTILES

40 SWG 101
41 MRKT 404

SWG 101



Dimensions (mm)

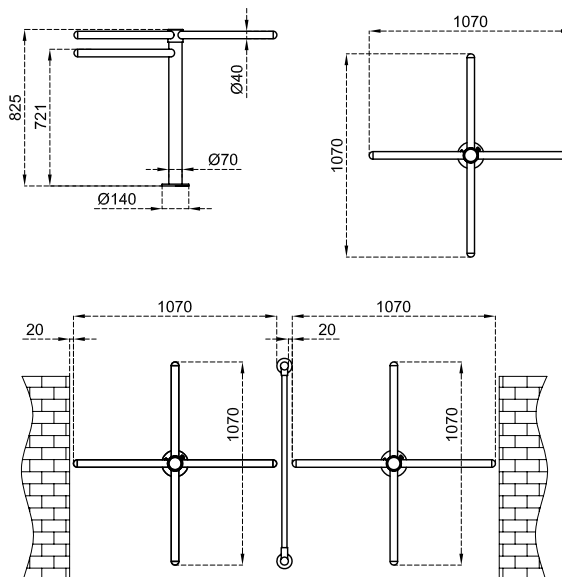


Technical Features

Place of Use	Indoors, outdoors (with wing adaptation)
Operating Intensity	%100, 7/24 use.
Body Features	Material : Ø89x3 mm 304 grade stainless steel. Finishing : Satine brushed (opt. orbital brushed matt, electrostatic powder coating on stainless steel).
Wing	Material : Ø27x2 mm 304 grade stainless steel pipe with acrylic infill. Finishing : Satine brushed (opt. orbital brushed matt, electrostatic powder coating on stainless steel).
Power	Operating Voltage : No power for standard model (opt. 24V DC (250mA) for 35 kg electromagnetic lock).
Operating Mode	System operates uni-directionally (clockwise or counter clockwise). Wing, opening 90° by pushing comes back to its original position thanks to the spring system ensuring the closing of the wing.
Operating System	Mechanical manual operation.
Emergency Mode	Electromagnetic lock (if any) is deactivated during the emergency contact, and the wing is pushed manually to create a free passageway.
Power-off Situation	Electromagnetic lock (if any) becomes disabled, and the wing is pushed manually to create a free passageway.
Weight	~15 kg
Optional Features and Accessories	Electromagnetic lock, wireless remote control (receiver-transmitter, with electromagnetic lock option), manual control (with electromagnetic lock option), key lock pole, bottom plate, electrostatic powder coating on stainless steel.



Dimensions (mm)



Technical Features

Place of Use	Indoors, outdoors (with wing adaptation)
Operating Intensity	%100, 7/24 use.
Body Features	Material : Ø70x2 mm 304 grade stainless steel. Finishing : Satine brushed (opt. orbital brushed matt, electrostatic powder coating on stainless steel).
Arms	Material : Ø40x2 mm 304 grade stainless steel pipe, Ø42x2,5 mm red painted steel anti-return arm Finishing : Satine brushed (opt. orbital brushed matt, electrostatic powder coating on stainless steel).
Operating Mode	System operates uni-directionally (clockwise or counter clockwise).
Operating System	Manual operation turning by pushing.
Weight	~15 kg
Optional Features and Accessories	Bottom plate

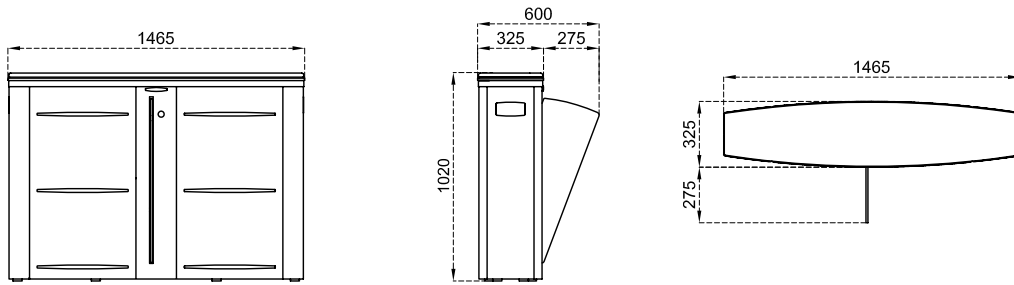


SPEED GATES

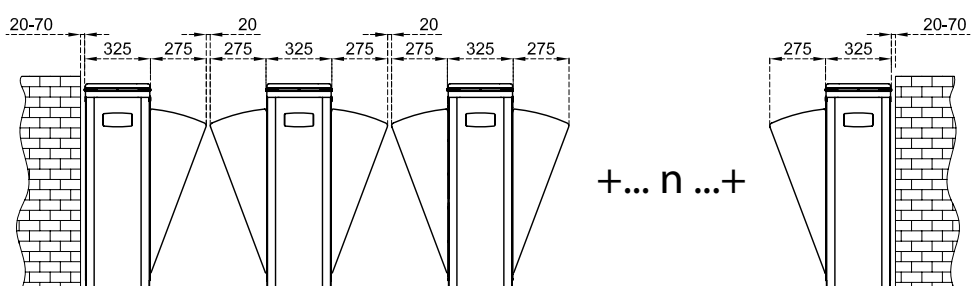
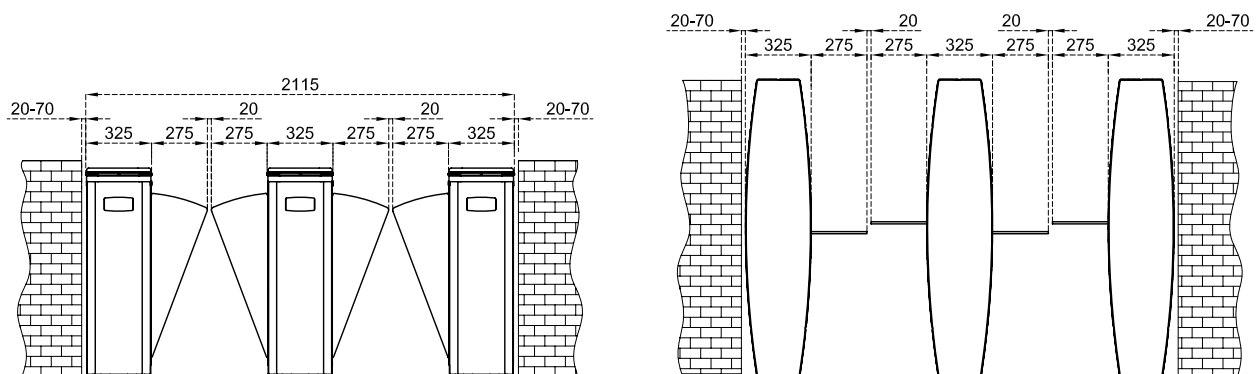
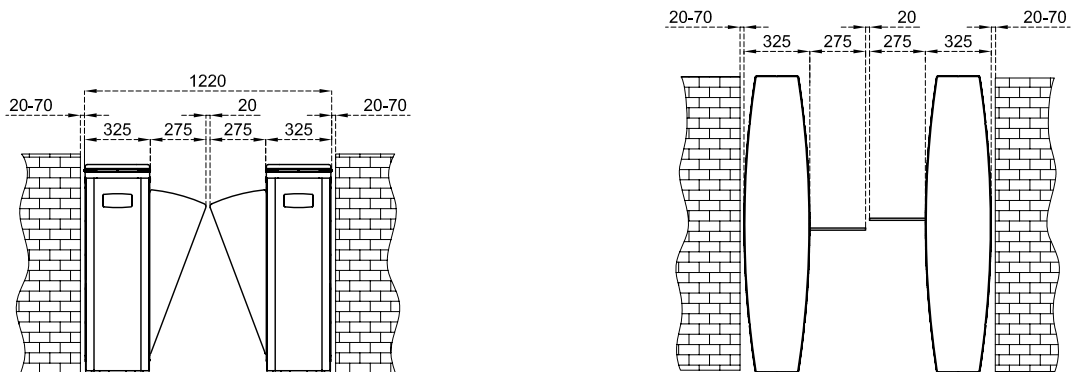
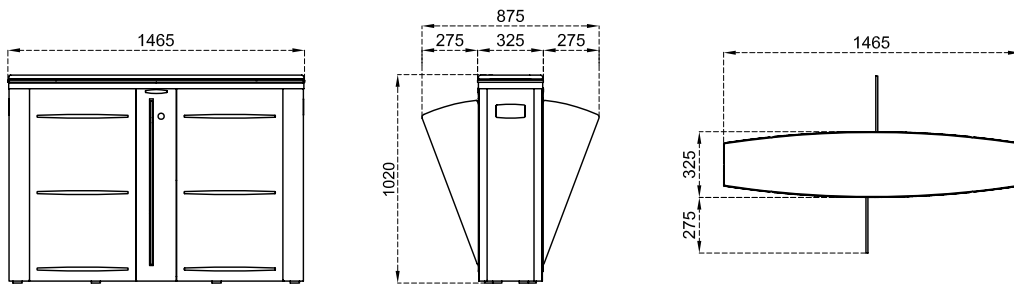
44	HG 01
46	HG 02 GL
50	HG 02 GL DP
52	SG 55 SLIDING GATE
56	SG 90 SLIDING GATE
58	PG 03 55 PADDLE GATE
60	PG 03 90 PADDLE GATE

Dimensions (mm)

HG 01-S : SINGLE UNIT (LEFT or RIGHT)



HG 01-C : CENTER UNIT



*Design and specifications are subject to change without notice.

HG 02 GL

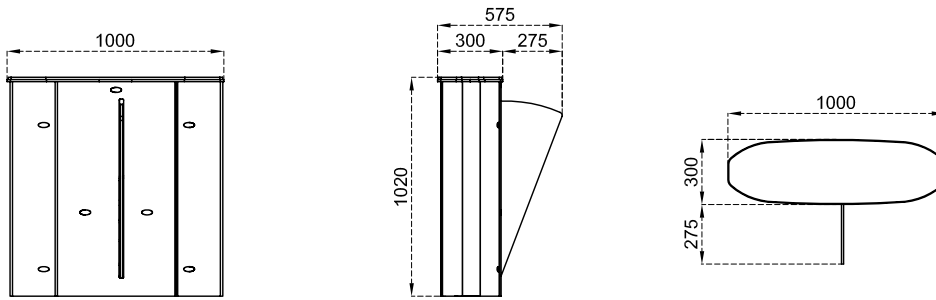


Technical Features

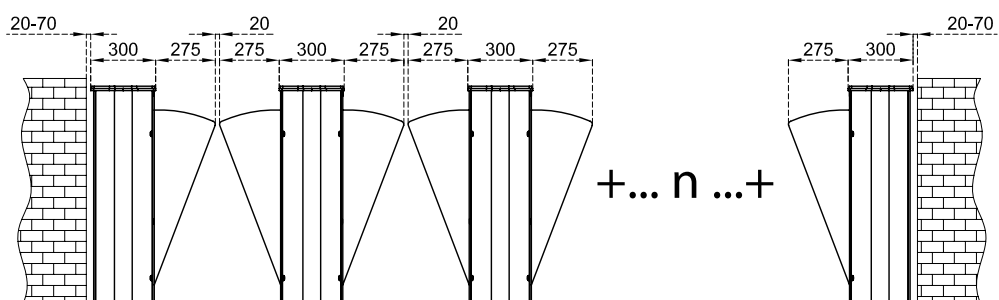
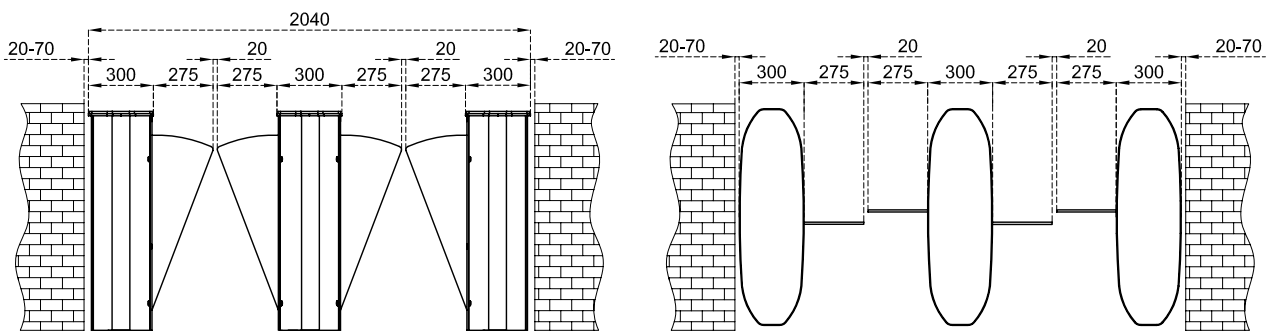
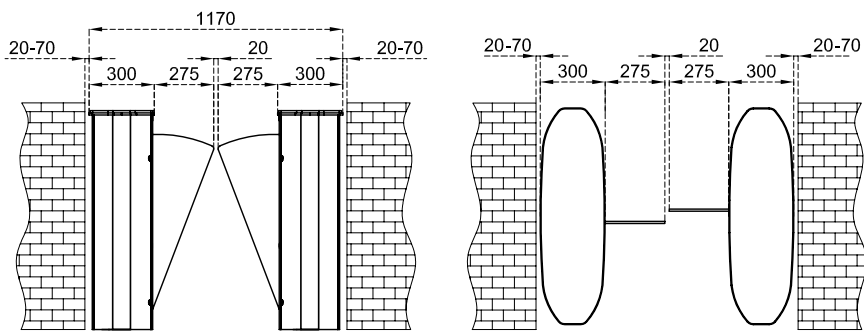
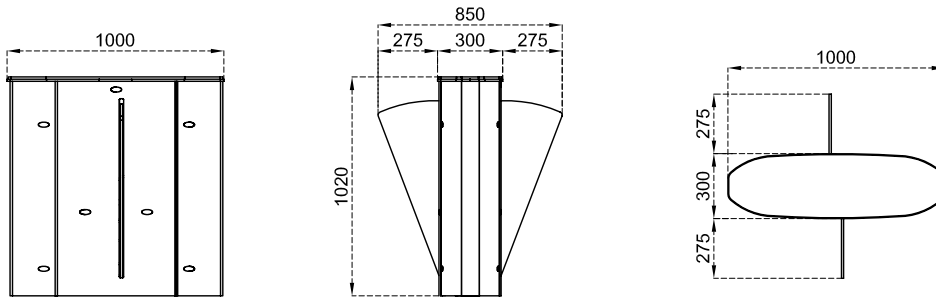
Place of Use	Indoors.	
Operating Temperature, Humidity	-20°C/+68°C (opt. -50°C with heater positive), RH %95 non-condensing.	
Operating Intensity	%100, 7/24 use.	
Material Specifications	Body	304 grade (opt. 316 grade) satine brushed stainless steel.
	Top Lid	10 mm black tempered glass (opt. other materials), choice of top lid hollowed for surface mounted access control device is also available.
	Wings	RGB LED illuminated 10 mm tempered glass.
Indicators	Passage / Direction Indicators : RGB LED under top lid and wings standard (opt. sliding asteroid animated LED indicators on top lid).	
Power	Operating Voltage	: 110/220V AC 50/60 Hz. (±%10), 24V DC.
	Consumption (single)	: 4W at stand-by, max ~34W
Operating Modes	Consumption (center)	: 8W at stand-by, max ~34+34W (varies according to the options and accessories used)
	System operates bi-directionally (entry-exit). Operation modes can be changed through dip switch.	
	Entry - exit controlled	Entry - exit free
Operating System	Entry controlled, exit free	Exit controlled, entry free
	Electromechanical motorised system with electronic torque and sensor controls that provides wing movement retracting inside the body for rapid passages. A passage lane consists of min. 2 pieces of single units facing each other. Electromechanical motorized wings are closed at stand-by (opt. open). Person requests authorisation from the access control device (3rd party device) connected to the gate's entry system. Upon authorisation, wings open, passage of the person is monitored by the multi-sensors along the passageway and wings close upon completion of the passage. In case of subsequent access authorisations, wings keep open until the last person completes his passage and then close. Wings do not move and do not harm the person in case the person is between the wings thanks to the sensors. In addition, electronic torque control system is continuously active during closing of the wings. Systems generates audio/visual alarm in case of tailgating or illegal passage attempts. System message codes can be monitored from the internal diagnostic screen.	
	All functions, parameters and operating modes can be changed through the control board (microprocessor controlled). All inputs are opto-coupler protected.	
	Controllable by dry contact (ground control). Compatible with all kinds of access control device. Optional RS232, RS485 or TCP/IP module is available.	
	Flow Rate	Wing opening / closing time : ~0,8 sec.
Emergency Mode	Free passage mode	: ~60 pass/min. Nominal : ~30 pass/min. (passage rate can change depending on the access control system utilized)
	Wings provide a free passageway by automatically retracting inside the body (fail safe). Works compatible with fire warning and similar systems. At the end of an emergency situation, system returns to its normal operating mode.	
Power-off Situation	Wings provide a free passageway by automatically retracting inside the body through internal battery (fail safe).	
Weight	Single	: ~65 kg
	Center	: ~80 kg
Optional Features and Accessories	Wireless remote control (receiver-transmitter), manual control, coin slot and coin box, single/multiple intelligent coin/token slot and box, heater positive, top lid weight sensor, bottom plate, battery back-up, 316 grade stainless steel, RS232-RS485-TCP/IP modules, sliding asteroid animated LED indicator, different outer body materials (mirror black, bronze, etc), motorized card collector unit and card collection box.	

Dimensions (mm)

HG 02 GL-S : SINGLE UNIT (LEFT or RIGHT)



HG 02 GL-C : CENTER UNIT





MİLLETVEKİLİ

MİLLETVEKİLİ





MILLETVEKİLİ

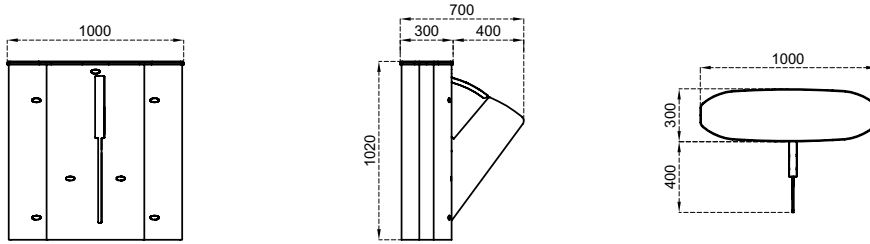


MILLETVEKİLİ

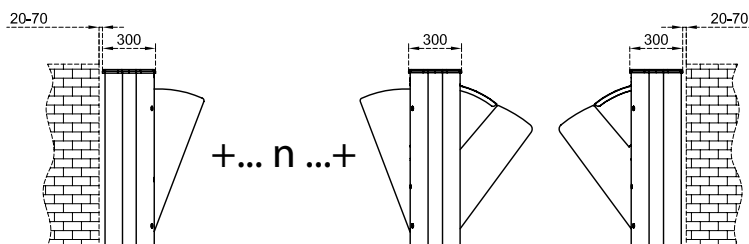
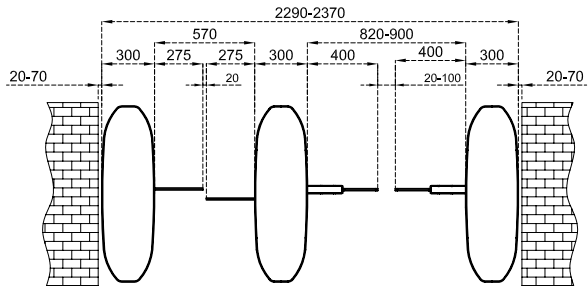
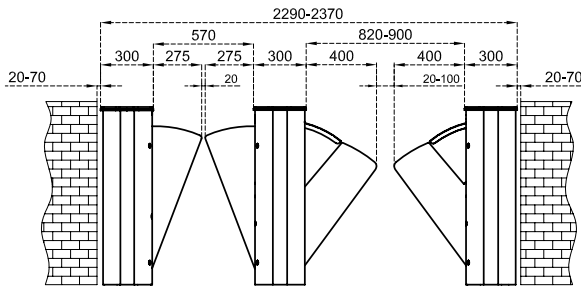
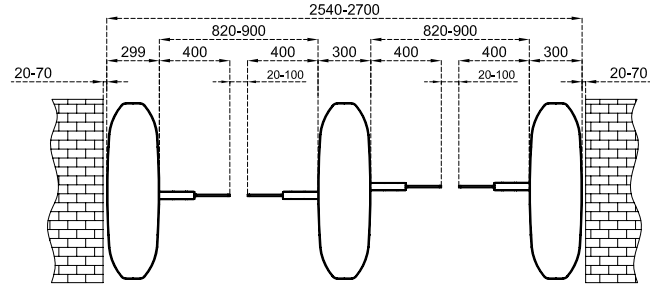
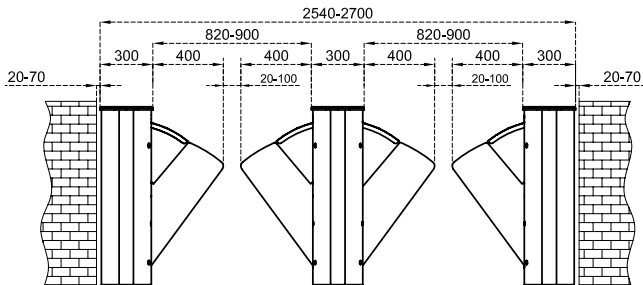
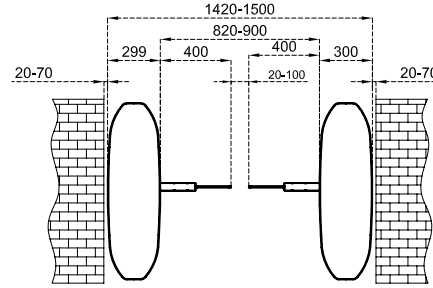
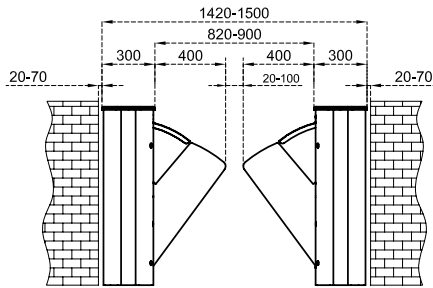
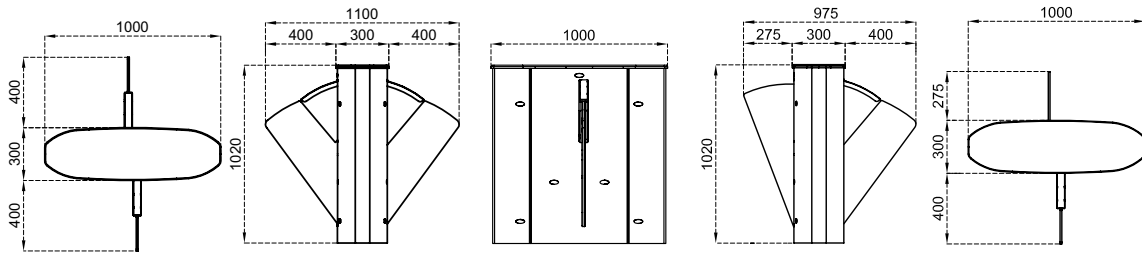
016
STOLAN
KONFERANS

Dimensions (mm)

HG 02 GL DP-S : SINGLE UNIT (LEFT or RIGHT)

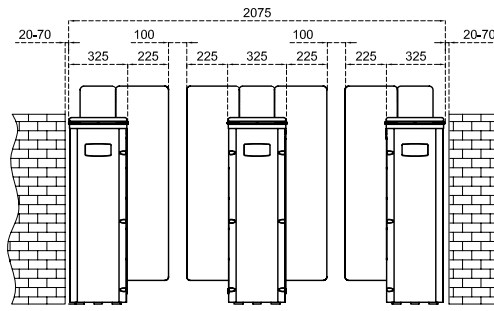
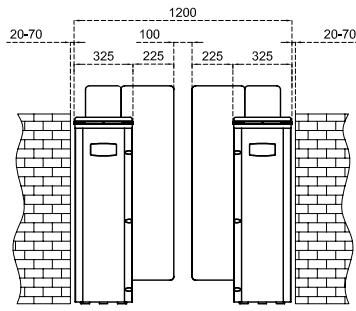


HG 02 GL DP-C : CENTER UNIT

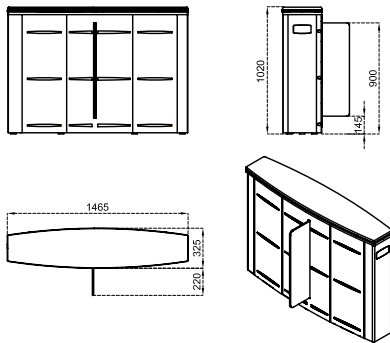


*Design and specifications are subject to change without notice.

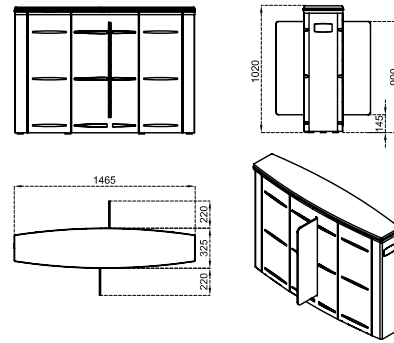
Dimensions (mm)



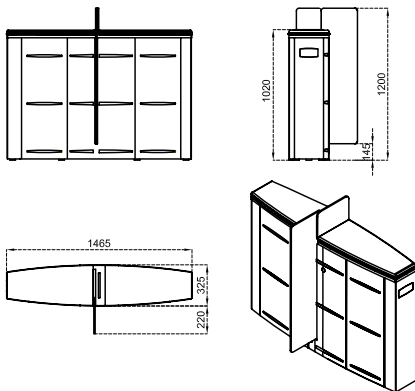
SG 55 S-S
Glass Wing Height : 900 mm



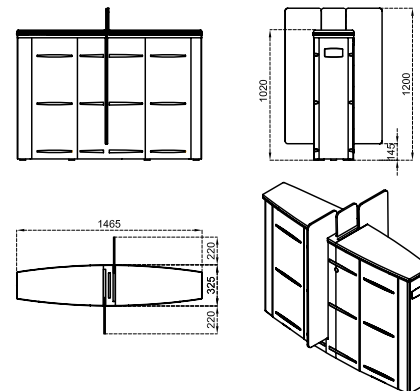
SG 55 S-C
Glass Wing Height : 900 mm



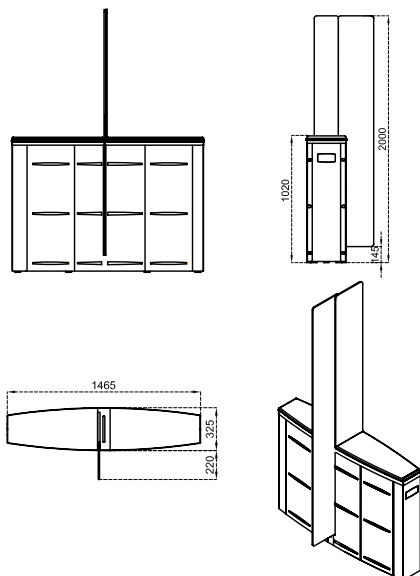
SG 55 M-S
Glass Wing Height : 1200 mm



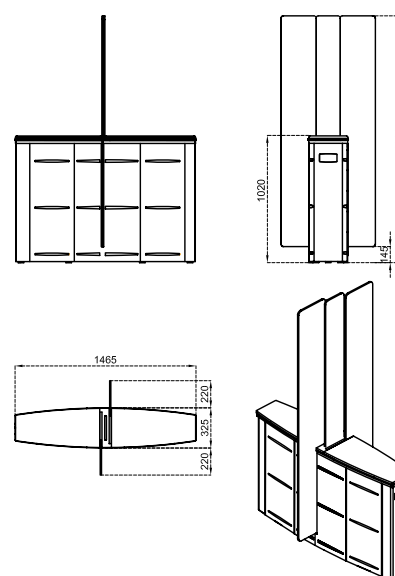
SG 55 M-C
Glass Wing Height : 1200 mm



SG 55 T-S
Glass Wing Height : 2000 mm



SG 55 T-C
Glass Wing Height : 2000 mm



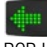




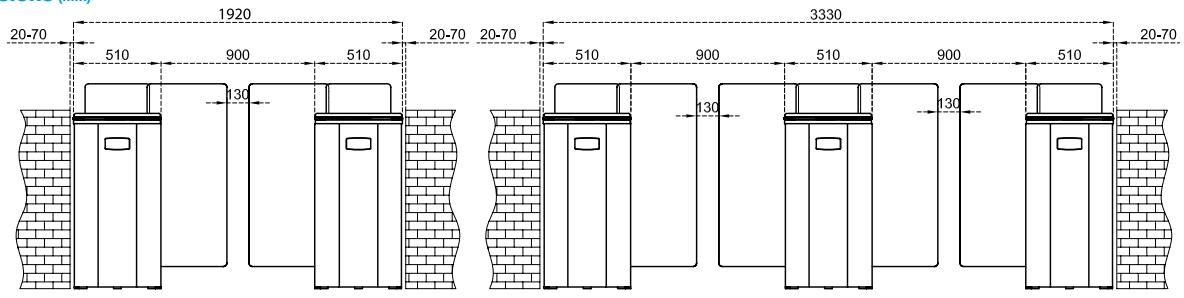
SG 90 SLIDING GATE



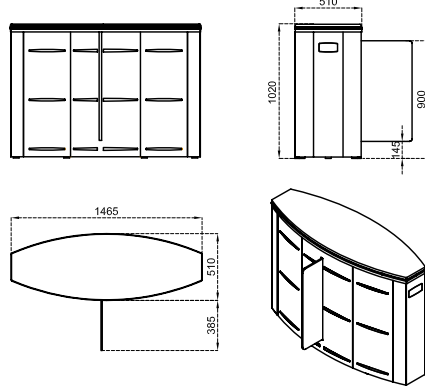
Technical Features

Place of Use	Indoors.	
Operating Temperature, Humidity	-20°C/+68°C (opt. -50°C with heater positive), RH %95 non-condensing.	
Operating Intensity	%100, 7/24 use.	
Material Specifications	Body	304 grade (opt. 316 grade) satine brushed stainless steel.
	Top Lid	10 mm black tempered glass (opt. other materials), choice of top lid hollowed for surface mounted access control device is also available.
	Wings	RGB LED illuminated 10 mm tempered glass with 900-1200-2000 mm wing height options.
Indicators	Side Status / Direction Indicators :  DOT MATRIX LED, standard. Passage Indicator : RGB LED under top lid and wings standard.	
Power	Operating Voltage : 110/220V AC 50/60 Hz. (±%10), 24V DC. Consumption (single) : 11W at stand-by, max ~50W Consumption (center) : 22W at stand-by, max ~50+50W (varies according to the options and accessories used)	
Operating Modes	System operates bi-directionally (entry-exit). Operation modes can be changed through dip switch. Entry - exit controlled Entry - exit free Entry controlled, exit free Exit controlled, entry free	
Operating System	Suitable for passage with wheelchairs, suitcases and trolleys with clear passage width up to 900 mm. Electromechanical motorised system with electronic torque and sensor controls that provides wing movement retracting inside the body for rapid passages. A passage lane consists of min. 2 pieces of single units facing each other. Electromechanical motorized wings are closed at stand-by (opt. open). Person requests authorisation from the access control device (3rd party device) connected to the gate's entry system. Upon authorisation, wings open, passage of the person is monitored by the multi-sensors along the passageway and wings close upon completion of the passage. In case of subsequent access authorisations, wings keep open until the last person completes his passage and then close. Wings do not move and do not harm the person in case the person is between the wings thanks to the sensors. In addition, electronic torque control system is continuously active during closing of the wings. Sensors along the passageway detects suitcase providing secure and comfortable passages. Systems generates audio/visual alarm in case of tailgating or illegal passage attempts. System message codes can be monitored from the internal diagnostic screen.	
Control System	All functions, parameters and operating modes can be changed through the control board (microprocessor controlled). All inputs are opto-coupler protected. Controllable by dry contact (ground control). Compatible with all kinds of access control device. Optional RS232, RS485 or TCP/IP module is available.	
Flow Rate	Wing opening / closing time : ~1,3-1,6 sec. Free passage mode : ~50 pass/min. Nominal : ~25 pass/min. (passage rate can change depending on the access control system utilized)	
Emergency Mode	Wings provide a free passageway by automatically retracting inside the body (fail safe). Works compatible with fire warning and similar systems. At the end of an emergency situation, system returns to its normal operating mode.	
Power-off Situation	Wings provide a free passageway by automatically retracting inside the body through internal battery (fail safe).	
Weight	Single : ~190 kg Center : ~250 kg	
Optional Features and Accessories	Wireless remote control (receiver-transmitter), manual control, coin slot and coin box, single/multiple intelligent coin/token slot and box, heater positive, top lid weight sensor, bottom plate, battery back-up, 316 grade stainless steel, RS232-RS485-TCP/IP modules, sliding asteroid animated LED indicator, different outer body materials (mirror black, bronze, etc), different wing heights, motorized card collector unit and card collection box, different top lid materials (stainless steel, natural granite, etc.).	

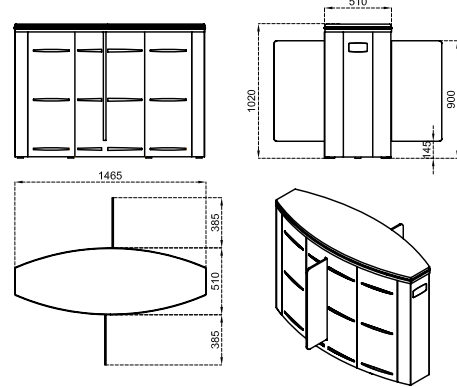
Dimensions (mm)



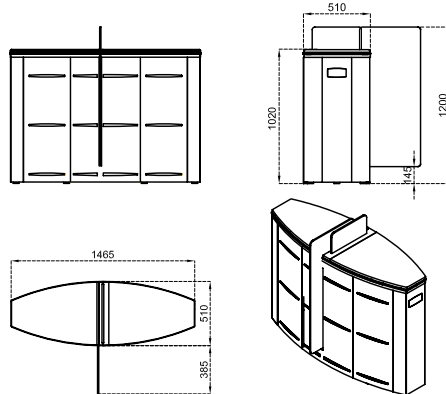
SG 90 S-S
Glass Wing Height: 900 mm



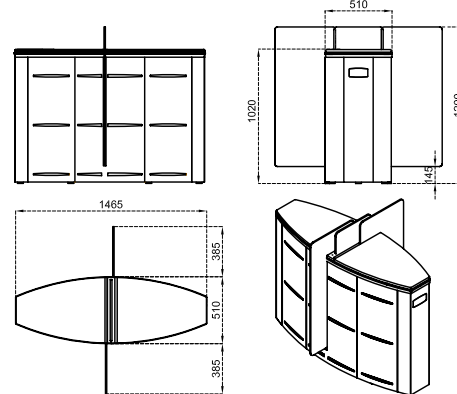
SG 90 S-C
Glass Wing Height: 900 mm



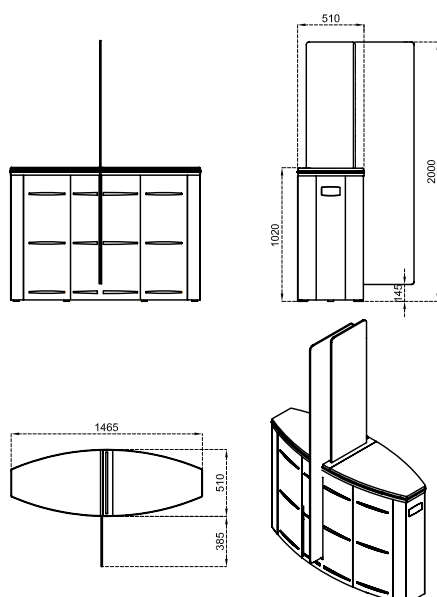
SG 90 M-S
Glass Wing Height: 1200 mm



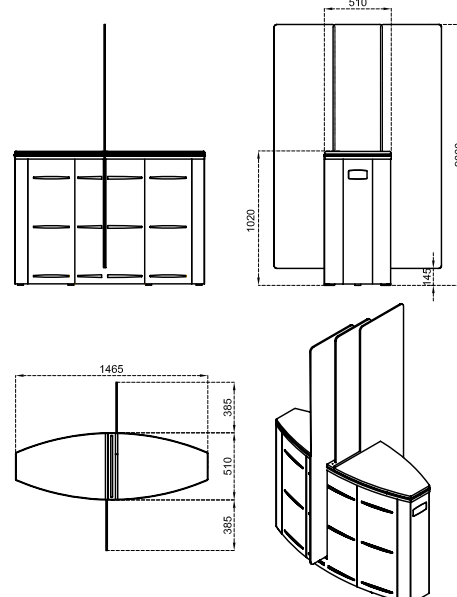
SG 90 M-C
Glass Wing Height: 1200 mm



SG 90 T-S
Glass Wing Height: 2000 mm



SG 90 T-C
Glass Wing Height: 2000 mm



PG 03 55 PADDLE GATE

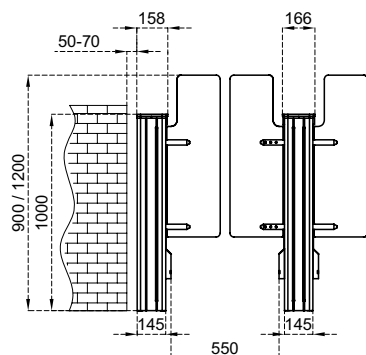
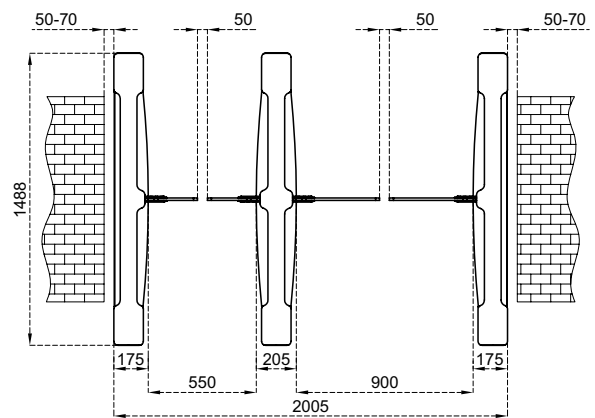
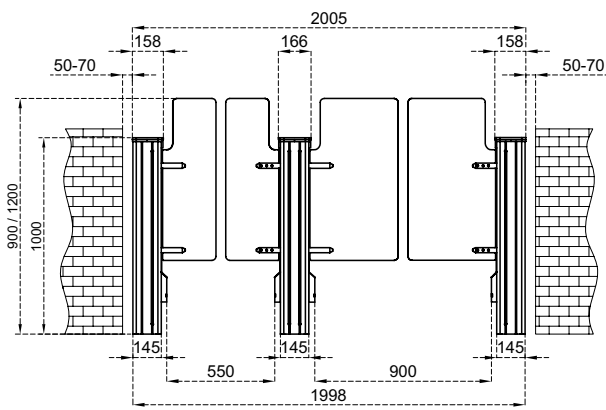
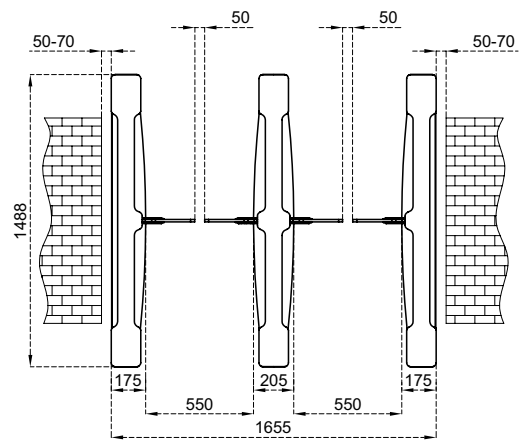
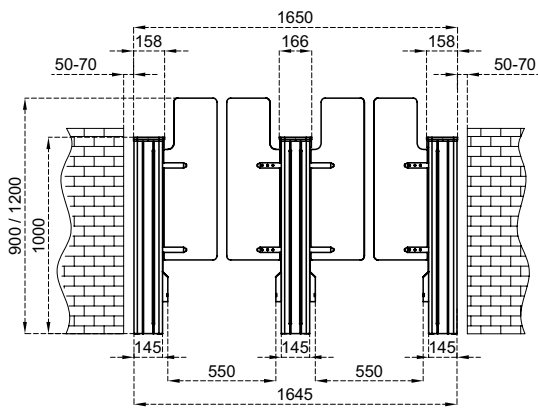
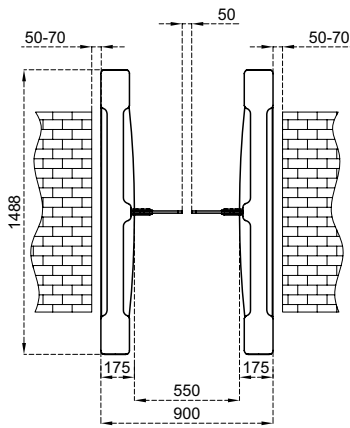
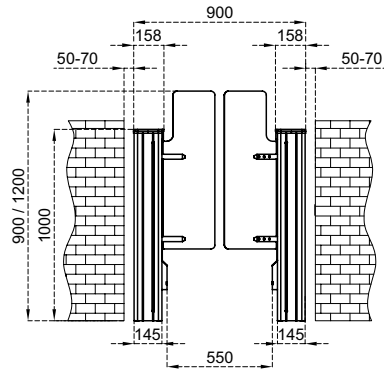


550 & 900 mm net passage width combinations can be created.

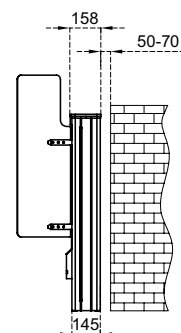
Technical Features

Place of Use	Indoors.	
Operating Temperature, Humidity	-20°C/+68°C (opt. -50°C with heater positive), RH %95 non-condensing.	
Operating Intensity	%100, 7/24 use.	
Material Specifications	Body	304 grade (opt. 316 grade) satine brushed stainless steel, acrylic panel side walls.
	Top Lid	10 mm black tempered glass .
	Wings	10 mm tempered glass with 900 – 1200 – optionally 1500 mm wing height choices.
Indicators	Direction and Passage Indicators : Vertical LED and sliding asteroid animated LED on top lid standard.	
Power	Operating Voltage	: 110/220V AC 50/60 Hz. (±%10), 24V DC.
	Consumption (single)	: 8W at stand-by, max ~38W
	Consumption (center)	: 16W at stand-by, max ~38+38W (varies according to the options and accessories used)
Operating Modes	System operates bi-directionally (entry-exit).	
	Operation modes can be changed through dip switch.	
	Entry - exit controlled	Entry - exit free
Operating System	Entry controlled, exit free	Exit controlled, entry free
	Electromechanical motorised system with electronic torque and sensor controls that provides wing movement swinging to passage direction for rapid passages.	
	A passage lane consists of min. 2 pieces of single units facing each other.	
	Electromechanical motorized wings are closed at stand-by (opt. open). Person requests authorisation from the access control device (3rd party device) connected to the gate's entry system. Upon authorisation, wings open, passage of the person is monitored by the multi-sensors along the passageway and wings close upon completion of the passage. In case of subsequent access authorisations, wings keep open until the last person completes his passage and then close.	
	Wings do not move and do not harm the person in case the person is between the wings thanks to the sensors. In addition, electronic torque control system is continuously active during closing of the wings.	
	Sensors along the passageway detects suitcase providing secure and comfortable passages.	
	Systems generates audio/visual alarm in case of tailgating or illegal passage attempts.	
Control System	System message codes can be monitored from the internal diagnostic screen.	
	All functions, parameters and operating modes can be changed through the control board (microprocessor controlled).	
	All inputs are opto-coupler protected.	
	Controllable by dry contact (ground control).	
Flow Rate	Compatible with all kinds of access control device.	
	Optional RS232, RS485 or TCP/IP module is available.	
	Wing opening / closing time	: ~0,8-1,2 sec. (depending on the wing height)
Emergency Mode	Free passage mode	: ~50 pass/min. Nominal : ~25 pass/min.
	(passage rate can change depending on the access control system utilized)	
Power-off Situation	Wings provide a free passageway by automatically opening to the preferred direction adjustable by dip-switch (fail safe). Works compatible with fire warning and similar systems. At the end of an emergency situation, system returns to its normal operating mode.	
	Wings provide a free passageway pushed manually to either entry or exit direction (fail safe). Wings provide a free passageway by automatically opening to the preferred direction with the optional internal battery adjustable by dip-switch.	
Weight	Single	: ~70 kg
	Center	: ~85 kg
Optional Features and Accessories	Wireless remote control (receiver-transmitter), manual control, coin slot and coin box, single/multiple intelligent coin/token slot and box, card reader mounting bracket, heater positive, top lid weight sensor, bottom plate, battery back-up, internal battery, 316 grade stainless steel, RS232-RS485-TCP/IP modules, different outer body materials (mirror black, bronze, etc), stainless steel top lid, different wing heights, motorized card collector unit and card collection box.	

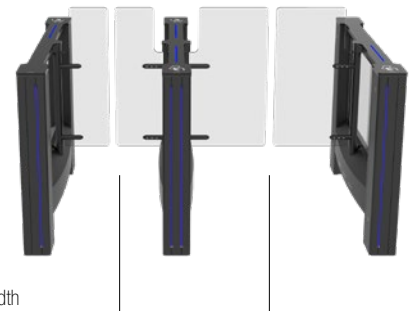
Dimensions (mm)



+ ... n ... +



PG 03 90 PADDLE GATE

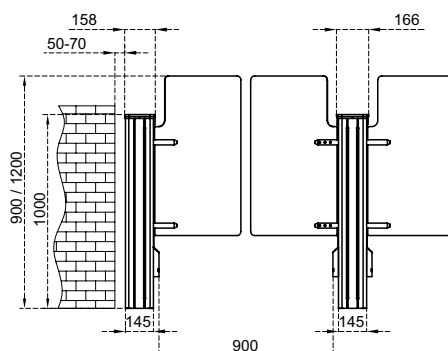
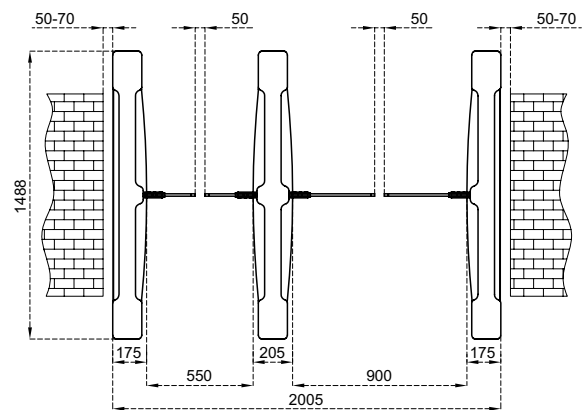
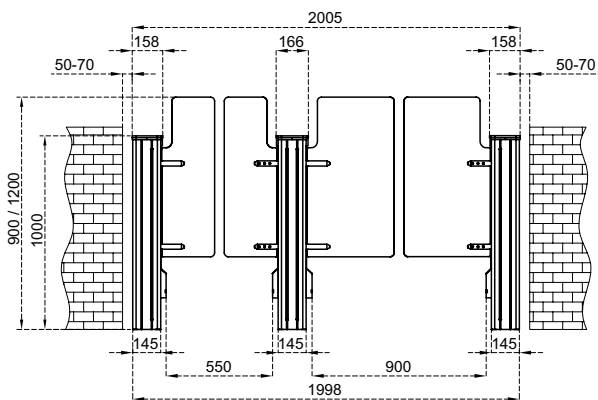
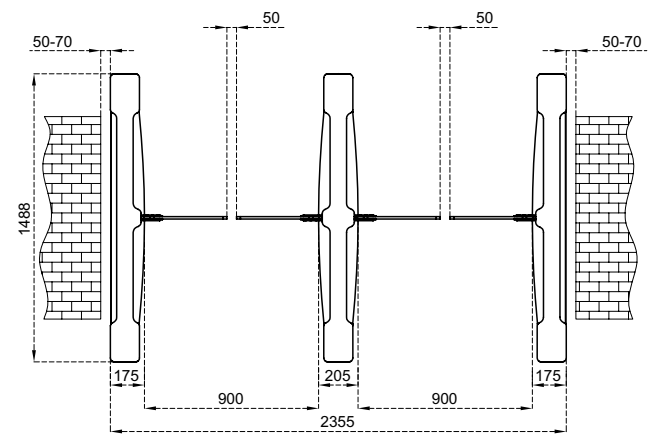
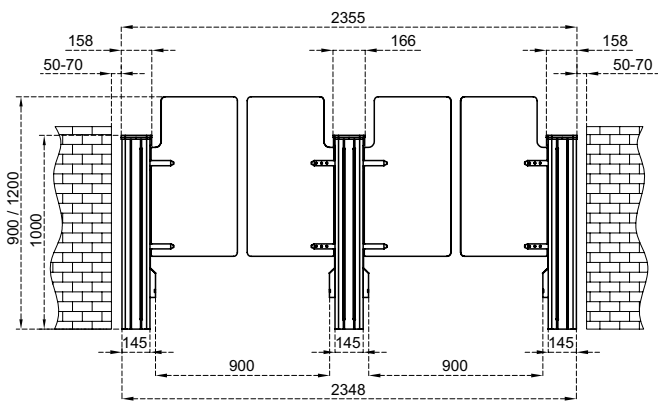
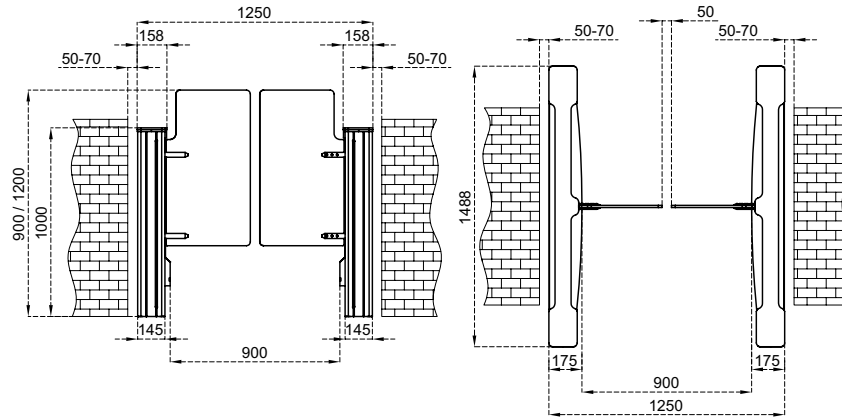


550 & 900 mm net passage width combinations can be created.

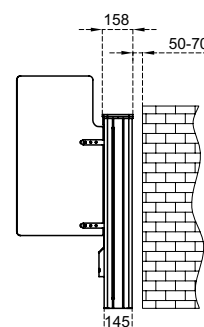
Technical Features

Place of Use	Indoors.
Operating Temperature, Humidity	-20°C/+68°C (opt. -50°C with heater positive), RH %95 non-condensing.
Operating Intensity	%100, 7/24 use.
Material Specifications	Body : 304 grade (opt. 316 grade) satine brushed stainless steel, acrylic panel side walls.
	Top Lid : 10 mm black tempered glass .
	Wings : 10 mm tempered glass with 900 – 1200 – optionally 1500 mm wing height choices.
Indicators	Direction and Passage Indicators : Vertical LED and sliding asteroid animated LED on top lid standard.
Power	Operating Voltage : 110/220V AC 50/60 Hz. (±%10), 24V DC. Consumption (single) : 8W at stand-by, max ~38W Consumption (center) : 16W at stand-by, max ~38+38W (varies according to the options and accessories used)
Operating Modes	System operates bi-directionally (entry-exit). Operation modes can be changed through dip switch. Entry - exit controlled Entry - exit free Entry controlled, exit free Exit controlled, entry free
Operating System	Suitable for passage with wheelchairs, suitcases and trolleys with clear passage width up to 900 mm. Electromechanical motorised system with electronic torque and sensor controls that provides wing movement swinging to passage direction for rapid passages. A passage lane consists of min. 2 pieces of single units facing each other. Electromechanical motorized wings are closed at stand-by (opt. open). Person requests authorisation from the access control device (3rd party device) connected to the gate's entry system. Upon authorisation, wings open, passage of the person is monitored by the multi-sensors along the passageway and wings close upon completion of the passage. In case of subsequent access authorisations, wings keep open until the last person completes his passage and then close. Wings do not move and do not harm the person in case the person is between the wings thanks to the sensors. In addition, electronic torque control system is continuously active during closing of the wings. Sensors along the passageway detects suitcase providing secure and comfortable passages. Systems generates audio/visual alarm in case of tailgating or illegal passage attempts. System message codes can be monitored from the internal diagnostic screen.
Control System	All functions, parameters and operating modes can be changed through the control board (microprocessor controlled). All inputs are opto-coupler protected. Controllable by dry contact (ground control). Compatible with all kinds of access control device. Optional RS232, RS485 or TCP/IP module is available.
Flow Rate	Wing opening / closing time : ~0,8-1,2 sec. (depending on the wing height) Free passage mode : ~50 pass/min. Nominal : ~25 pass/min. (passage rate can change depending on the access control system utilized)
Emergency Mode	Wings provide a free passageway by automatically opening to the preferred direction adjustable by dip-switch (fail safe). Works compatible with fire warning and similar systems. At the end of an emergency situation, system returns to its normal operating mode.
Power-off Situation	Wings provide a free passageway pushed manually to either entry or exit direction (fail safe). Wings provide a free passageway by automatically opening to the preferred direction with the optional internal battery adjustable by dip-switch.
Weight	Single : ~70 kg Center : ~85 kg
Optional Features and Accessories	Wireless remote control (receiver-transmitter), manual control, coin slot and coin box, single/multiple intelligent coin/token slot and box, card reader mounting bracket, heater positive, top lid weight sensor, bottom plate, battery back-up, internal battery, 316 grade stainless steel, RS232-RS485-TCP/IP modules, different outer body materials (mirror black, bronze, etc), stainless steel top lid, different wing heights, motorized card collector unit and card collection box.

Dimensions (mm)



+ ... n ... +



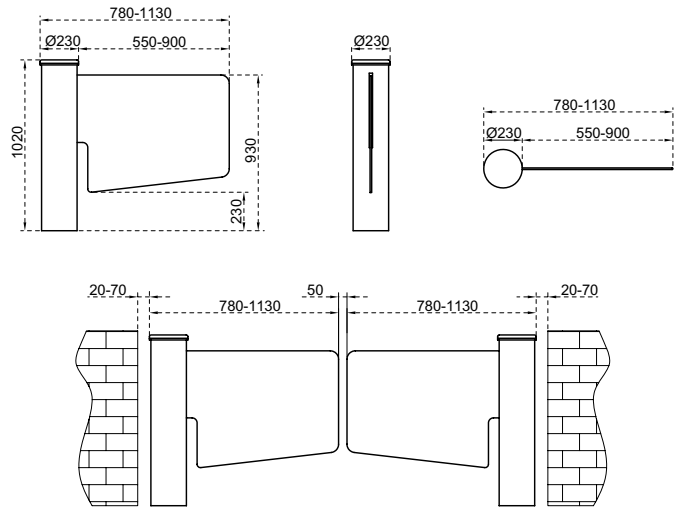


GLASS LINE

64	GL A1
65	GL B1
67	GL A2



Dimensions (mm)



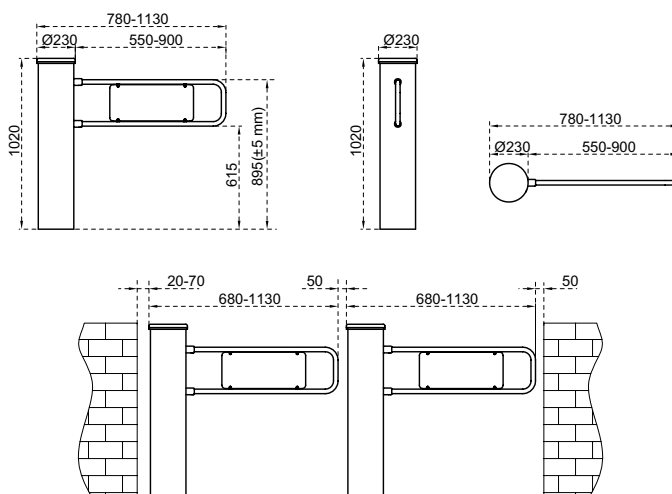
Technical Features

Place of Use	Indoors	
Operating Temperature, Humidity	-20°C/+68°C (opt. -50°C with heater positive), RH %95 non-condensing.	
Operating Intensity	%100, 7/24 use.	
Material Features	Body	304 grade (opt. 316 grade) satine brushed stainless steel.
	Top Lid	10 mm black tempered glass, choice of top lid hollowed for surface mounted access control device is also available.
	Wing	10 mm tempered glass with 550-900 mm wing width choices.
Indicators	Direction and Passage Indicators : RGB LED under top lid standard.	
Power	Operating Voltage : 110/220V AC 50/60 Hz. (±%10), 24V DC.	
	Consumption : ~2 W at stand-by, max ~30 W (varies according to the options and accessories used).	
Operating Modes	System operates bi-directionally (entry-exit).	
	Operation modes can be changed through dip switch, IOS and/or android app. Entry - exit controlled Entry - exit free (with optional photo-cell) Entry controlled, exit free (with optional photocell) Exit controlled, entry free (with optional photocell)	
Operating System	Electromechanical motorized operation.	
Control System	All functions, parameters and operating modes can be changed through the control board (microprocessor controlled), IOS and/or android app. Firmware can be updated. All past function updates and changes are kept in the server and records can be traced.	
	All inputs are opto-coupler protected.	
	Controllable by dry contact (ground control).	
	Compatible with all kinds of access control device. Optional RS232, RS485 or TCP/IP module is available.	
Flow Rate	Wing opening / closing time : 1,5 - 2,0 sec.	
Emergency Mode	System provides a free passageway (entry-exit) by opening the wing in preferred direction configured by dip switch (fail safe). Works compatible with fire warning and similar systems. At the end of an emergency situation, system returns to its normal operating mode.	
Power-off Situation	System provides a free passageway (entry-exit) by manually pushing the wing towards entry or exit directions (fail safe).	
Weight	~48 kg	
Optional Features and Accessories	Wireless remote control (receiver-transmitter), manual control, counter (with/without reset), card reader mounting bracket, heater positive, bottom plate, battery back-up, 316 grade stainless steel, RS232-RS485-TCP/IP modules, different outer body materials (mirror black, bronze, etc), different top lid materials (stainless steel, natural granite, etc), photocell for free mode.	





Dimensions (mm)



Technical Features

Place of Use	Indoors, outdoors	
Operating Temperature, Humidity	-20°C/+68°C (opt. -50°C with heater positive), RH %95 non-condensing.	
Operating Intensity	%100, 7/24 use.	
Material Features	Body	304 grade (opt. 316 grade) satine brushed stainless steel.
	Top Lid	10 mm black tempered glass, choice of top lid hollowed for surface mounted access control device is also available.
	Wing	Single piece special formed Ø27x2 mm, 304 grade (opt. 316 grade) satine brushed stainless steel frame infilled with acrylic panel wing with 550-900 mm wing width choices.
Indicators	Direction and Passage Indicators : RGB LED under top lid standard.	
Power	Operating Voltage	: 110/220V AC 50/60 Hz. (±%10), 24V DC.
	Consumption	: ~2 W at stand-by, max ~30 W (varies according to the options and accessories used).
Operating Modes	System operates bi-directionally (entry-exit). Operation modes can be changed through dip switch, IOS and/or android app.	
	Entry - exit controlled	Entry - exit free (with optional photo-cell)
	Entry controlled, exit free (with optional photocell)	Exit controlled, entry free (with optional photocell)
Operating System	Electromechanical motorized operation.	
Control System	All functions, parameters and operating modes can be changed through the control board (microprocessor controlled), IOS and/or android app. Firmware can be updated. All past function updates and changes are kept in the server and records can be traced.	
	All inputs are opto-coupler protected.	
	Controllable by dry contact (ground control).	
	Compatible with all kinds of access control device. Optional RS232, RS485 or TCP/IP module is available.	
Flow Rate	Wing opening / closing time : 1,5 – 2,0 sec.	
Emergency Mode	System provides a free passageway (entry-exit) by opening the wing in preferred direction configured by dip switch (fail safe). Works compatible with fire warning and similar systems. At the end of an emergency situation, system returns to its normal operating mode.	
Power-off Situation	System provides a free passageway (entry-exit) by manually pushing the wing towards entry or exit directions (fail safe).	
Weight	~41 kg	
Optional Features and Accessories	Wireless remote control (receiver-transmitter), manual control, counter (with/without reset), card reader mounting bracket, heater positive, bottom plate, battery back-up, 316 grade stainless steel, RS232-RS485-TCP/IP modules, different outer body materials (mirror black, bronze, etc), different top lid materials (stainless steel, natural granite, etc), photocell for free mode.	

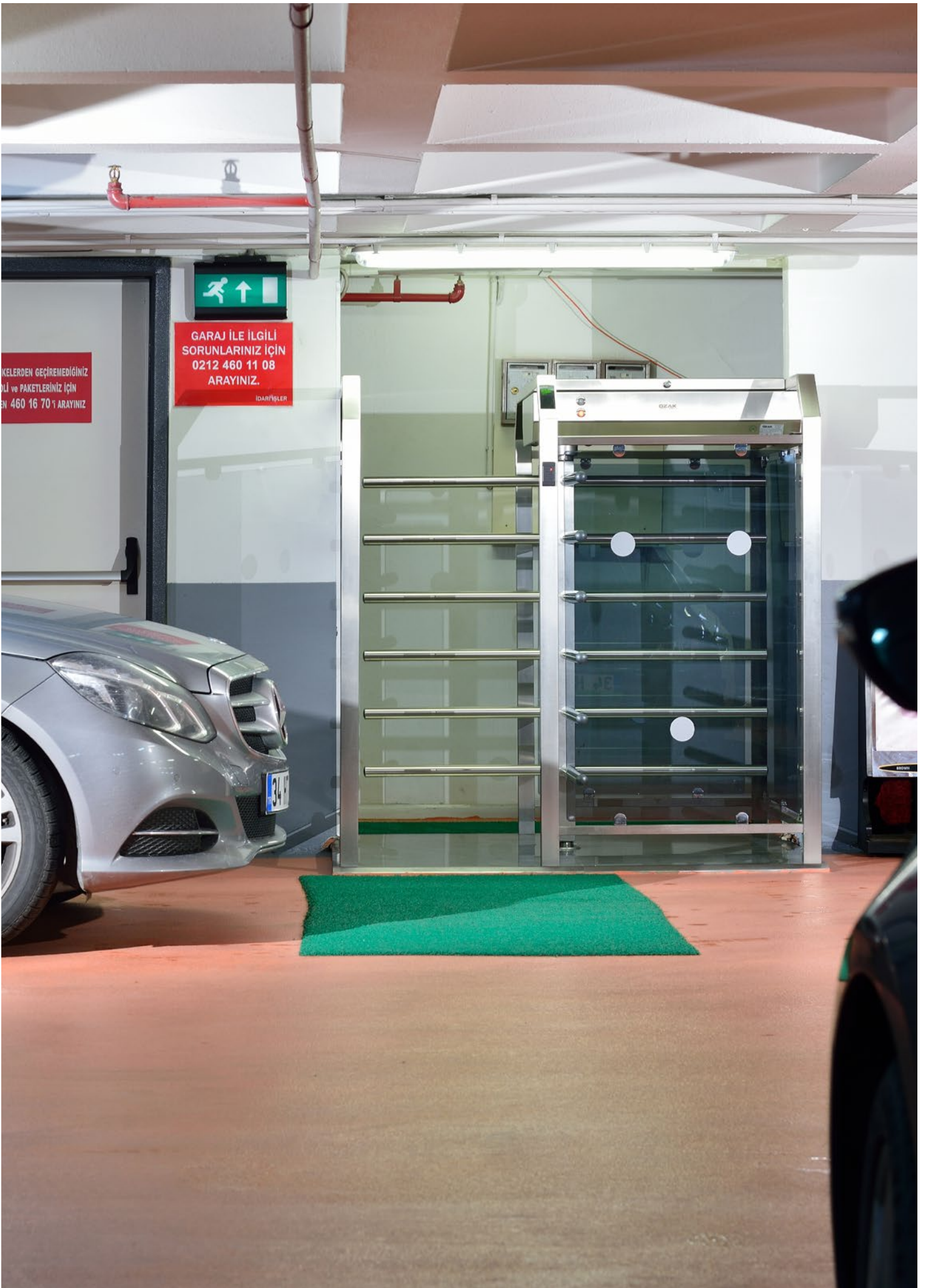




MİLLETVEKİLİ



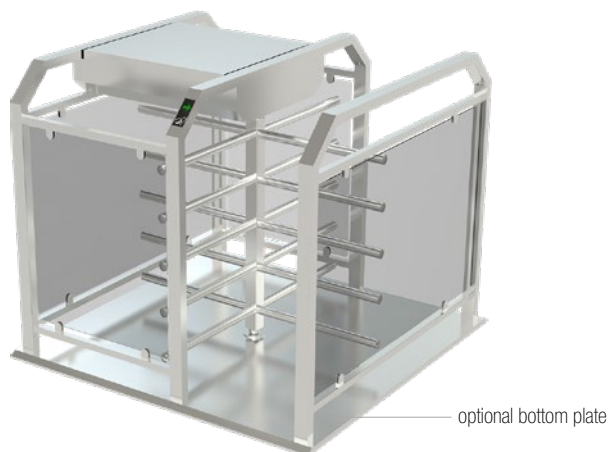
MİLLETVEKİLİ



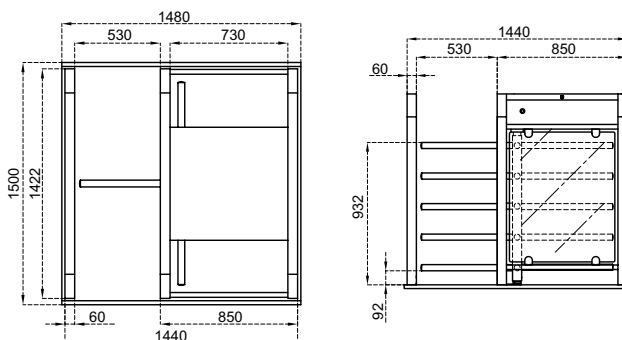
HALF HEIGHT TURNSTILES

70	HT 400
71	HT 400 D

HT 400

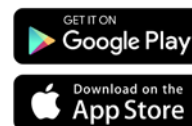


Dimensions (mm)

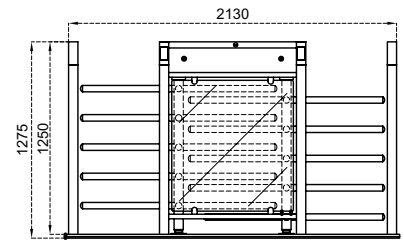
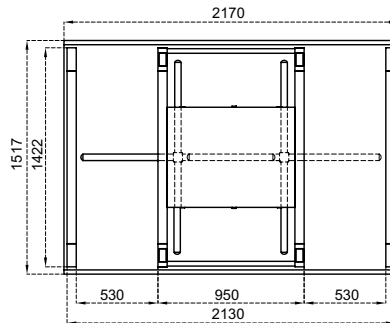
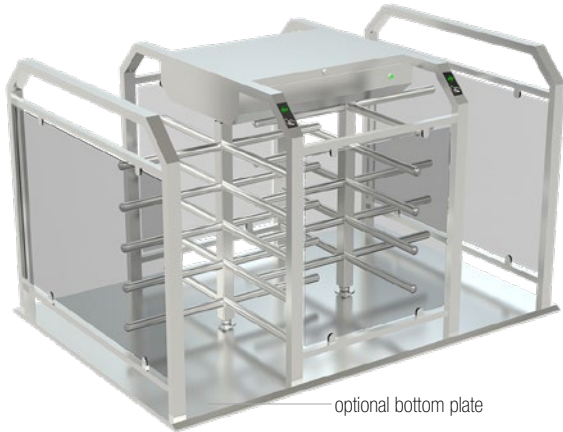


Technical Features

Place of Use	Indoors, outdoors		
Operating Temperature, Humidity	-20°C/+68°C (opt. -50°C with heater positive), RH %95 non-condensing.		
Operating Intensity	%100, 7/24 use.		
Body / Arm Features	Built on box beam main carriers and contains waterproof protecting top lid. Four-section rotor (90°), each having 5 one by one demountable arms.		
	Combination options with different material choices:		
		HT 400	HT 400-25
Body	Electrostatic powder coating on hot-dip galvanized steel	Electrostatic powder coating on hot-dip galvanized steel	304 grade (opt. 316 grade)* stainless steel
Arms	Electrostatic powder coating on hot-dip galvanized steel, Ø42x2,5 mm.	304 grade (opt. 316 grade)* stainless steel, Ø40x2,0 mm.	304 grade (opt. 316 grade)* stainless steel, Ø40x2,0 mm.
	(*) Finishing : Satine brushed (opt. electrostatic powder coating on stainless steel).		
Indicators	Status - Direction Indicators : DOT MATRIX LED, standard. Passage Indicators : LED standard.		
Power	Operating Voltage : 110/220V AC 50/60 Hz. (±%10), 24V DC. Consumption : ~14W at stand-by, max ~50W (varies according to the options and accessories used).		
Operating Modes	System operates bi-directionally (entry-exit). Operation modes can be changed through dip switch, IOS and/or android app. Entry - exit controlled Entry controlled, exit free Entry free, exit controlled Single input both directions use Entry - exit free		
Operating System	Electromechanical manual operation (opt. electromechanical motorized operation).		
Control System	All functions, parameters and operating modes can be changed through the control board (microprocessor controlled), IOS and/or android app. Firmware can be updated. All past function updates and changes are kept in the server and records can be traced. All inputs are opto-coupler protected. Controllable by dry contact (ground control). Compatible with all kinds of access control device. Optional RS232, RS485 or TCP/IP module is available.		
Flow Rate	Passage capacity (manual) : max. 50 cycle/min. Nominal : ~25 pass/min. Passage capacity (motorized) : max. 34 cycle/min. Nominal : ~18 pass/min. (nominal passage rate can change depending on the access control system utilized)		
Emergency Mode	System allows free passage (entry-exit) in both directions (fail safe). Works compatible with fire warning and similar systems. At the end of an emergency situation, system returns to its normal operating mode.		
Power-off Situation	System allows free passage (entry-exit) in both directions (fail safe). Optionally, can be set (fail secure) as; entry-exit locked, entry free-exit locked, or entry locked-exit free. Free passage in chosen direction by manual override key in fail secure option is available.		
Weight	~150 kg		
Optional Features and Accessories	Motor driven unit, wireless remote control (receiver-transmitter), manual control, manual override key (with fail secure option), counter (with/without reset), card reader mounting bracket, passage completion sensor, contactless passage sensor (for motorized models), heater positive, bottom plate (standard or for forklift handling), battery back-up, 316 grade stainless steel, RS232-RS485-TCP/IP modules, limiter, different color choices.		



Dimensions (mm)



Technical Features

Place of Use	Indoors, outdoors
Operating Temperature, Humidity	-20°C/+68°C (opt. -50°C with heater positive), RH %95 non-condensing.
Operating Intensity	%100, 7/24 use.

Built on box beam main carriers and contains waterproof protecting top lid.
Four-section rotor (90°), each having 5 one by one demountable arms.

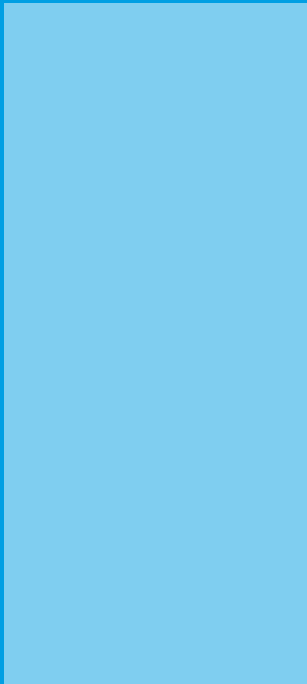
Combination options with different material choices:

Body / Arm Features	HT 400 D	HT 400 D-25	HT 400 D-100
Body	Electrostatic powder coating on hot-dip galvanized steel	Electrostatic powder coating on hot-dip galvanized steel	304 grade (opt. 316 grade)* stainless steel
Arms	Electrostatic powder coating on hot-dip galvanized steel, Ø42x2,5 mm.	304 grade (opt. 316 grade)* stainless steel, Ø40x2,0 mm.	304 grade (opt. 316 grade)* stainless steel, Ø40x2,0 mm.

(*) Finishing : Satine brushed (opt. electrostatic powder coating on stainless steel).

Indicators	Status - Direction Indicators : DOT MATRIX LED, standard. Passage Indicators : LED standard.
Power	Operating Voltage : 110/220V AC 50/60 Hz. (±%10), 24V DC. Consumption : ~28W at stand-by, max ~50+50W (varies according to the options and accessories used).
Operating Modes	System operates bi-directionally (entry-exit). Operation modes can be changed through dip switch, IOS and/or android app. Entry - exit controlled Entry controlled, exit free Entry free, exit controlled Single input both directions use Entry - exit free
Operating System	Electromechanical manual operation (opt. electromechanical motorized operation).
Control System	All functions, parameters and operating modes can be changed through the control board (microprocessor controlled), IOS and/or android app. Firmware can be updated. All past function updates and changes are kept in the server and records can be traced. All inputs are opto-coupler protected. Controllable by dry contact (ground control). Compatible with all kinds of access control device. Optional RS232, RS485 or TCP/IP module is available.
Flow Rate	Passage capacity (manual) : max. 100 cycle/min. Nominal : ~50 pass/min. Passage capacity (motorized) : max. 68 cycle/min. Nominal : ~36 pass/min. (nominal passage rate can change depending on the access control system utilized)
Emergency Mode	System allows free passage (entry-exit) in both directions (fail safe). Works compatible with fire warning and similar systems. At the end of an emergency situation, system returns to its normal operating mode.
Power-off Situation	System allows free passage (entry-exit) in both directions (fail safe). Optionally, can be set (fail secure) as; entry-exit locked, entry free-exit locked, or entry locked-exit free. Free passage in chosen direction by manual override key in fail secure option is available.
Weight	~250 kg
Optional Features and Accessories	Motor driven unit, wireless remote control (receiver-transmitter), manual control, manual override key (with fail secure option), counter (with/without reset), card reader mounting bracket, passage completion sensor, contactless passage sensor (for motorized models), heater positive, bottom plate (standard or for forklift handling), battery back-up, 316 grade stainless steel, RS232-RS485-TCP/IP modules, limiter, different color choices.





FULL HEIGHT TURNSTILES

75	DK 300
76	BT 312
77	BT 312 D
78	BTX 300 N1
79	BTX 300 N1 D
82	BTC 300
83	BTC 300 D
85	DK 400
88	BT 402
89	BT 402 D
90	BTX 400 N1
91	BTX 400 N1 D
94	BTC 400
95	BTC 400 D



B2



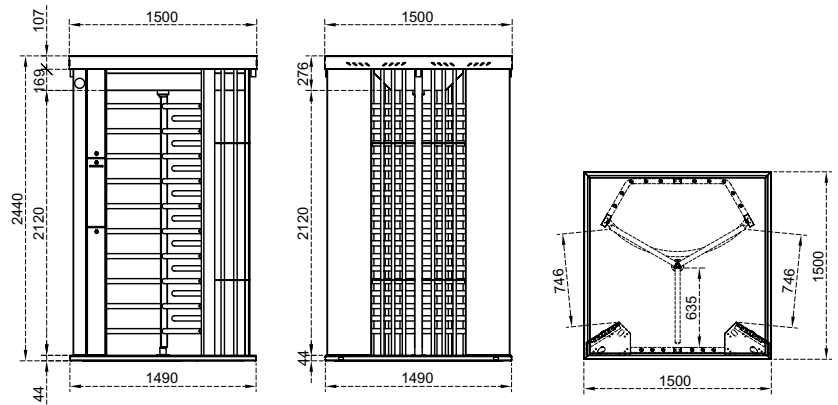
B2

403 404







Dimensions (mm)



Technical Features

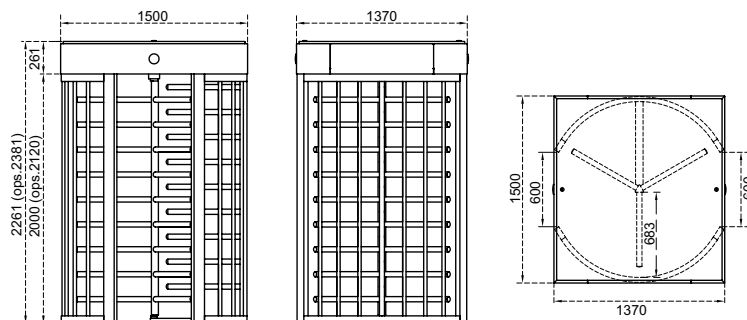
Place of Use	Indoors, outdoors				
Operating Temperature, Humidity	-20°C/+68°C (opt. -50°C with heater positive), RH %95 non-condensing.				
Operating Intensity	%100, 7/24 use.				
Body / Arm Features	<p>Consisting of floor with anti-slip aluminium coated stainless steel sub-chasis, body built on main carriers and supported with pipes and box type beams on sides, stainless steel waterproof roof covered with corrugated steel, with rain gutters and completely closed ceiling. There are columns with 3 sections designed for installation of electronic system, card reader and access control systems in both entry and exit directions.</p> <p>The mechanics compartment is accessible from the ceiling.</p> <p>Three-section rotor (120°), each having 10 one by one demountable arms.</p> <p>Complies with UK H&S regulation of ≤98 mm gap between upright profiles.</p> <table border="1"> <tr> <td>Body</td> <td>304 grade (opt. 316 grade) stainless steel.</td> </tr> <tr> <td>Arms</td> <td>304 grade (opt. 316 grade)* stainless steel, Ø40x2,0 mm.</td> </tr> </table> <p>(* Finishing : Satine brushed (opt. electrostatic powder coating on stainless steel).</p>	Body	304 grade (opt. 316 grade) stainless steel.	Arms	304 grade (opt. 316 grade)* stainless steel, Ø40x2,0 mm.
Body	304 grade (opt. 316 grade) stainless steel.				
Arms	304 grade (opt. 316 grade)* stainless steel, Ø40x2,0 mm.				
Indicators / Illumination	<p>Status - Direction Indicators : LED, standard/LED passageway illumination standard.</p> <p>Passage Indicator : RGB LED standard.</p>				
Power	<p>Operating Voltage : 110/220V AC 50/60 Hz. (%±10), 24V DC.</p> <p>Consumption : ~8,1W at stand-by, during passage ~7,6W (varies according to the options and accessories used).</p>				
Operating Modes	<p>System operates bi-directionally (entry-exit).</p> <p>Operation modes can be changed through dip switch, IOS and/or android app.</p> <p>Entry - exit controlled Entry controlled, exit free Entry free, exit controlled</p> <p>Single input both directions use Entry - exit free</p>				
Operating System	Electromechanical manual operation (opt. electromechanical motorized operation).				
Control System	<p>All functions, parameters and operating modes can be changed through the control board (microprocessor controlled), IOS and/or android app. Firmware can be updated. All past function updates and changes are kept in the server and records can be traced.</p> <p>All inputs are opto-coupler protected.</p> <p>Controllable by dry contact (ground control).</p> <p>Compatible with all kinds of access control device.</p> <p>Optional RS232, RS485 or TCP/IP module is available.</p> <div style="text-align: right;">   </div>				
Flow Rate	<p>Passage capacity (manual) : max. 48 cycle/min. Nominal : ~25 pass/min.</p> <p>Passage capacity (motorized) : max. 40 cycle/min. Nominal : ~20 pass/min.</p> <p>(nominal passage rate can change depending on the access control system utilized)</p>				
Emergency Mode	System allows free passage (entry-exit) in both directions (fail safe). Works compatible with fire warning and similar systems. At the end of an emergency situation, system returns to its normal operating mode.				
Power-off Situation	System allows free passage (entry-exit) in both directions (fail safe). Optionally, can be set (fail secure) as; entry-exit locked, entry free-exit locked, or entry locked-exit free. Free passage in chosen direction by manual override key in fail secure option is available.				
Weight	~475 kg				
Optional Features and Accessories	Motor driven unit, wireless remote control (receiver-transmitter), manual control, manual override key (with fail secure option), counter (with/without reset), card reader mounting bracket, passage completion sensor, contactless passage sensor (for motorized models), heater positive, canopy, battery back-up, 316 grade stainless steel, RS232-RS485-TCP/IP modules, limiter, trombone arms, different color choices, motorized card collector unit and card collection box.				

*Design and specifications are subject to change without notice.

BT 312



Dimensions (mm)



Technical Features

Place of Use	Indoors, outdoors
Operating Temperature, Humidity	-20°C/+68°C (opt. -50°C with heater positive), RH %95 non-condensing.
Operating Intensity	%100, 7/24 use.

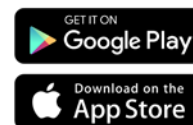
Built on main carriers and supported with pipe beams on sides, consisting of waterproof and protecting top lid, mechanical compartment side panels and completely closed ceiling. Can be completely disassembled.
 Three-section rotor (120°), each having 9 (10 in optional 2120 mm clear passage height) one by one demountable arms.
 Optionally complies with UK H&S regulation of ≤98 mm gap between upright profiles.

Combination options with different material choices:

Body / Arm Features	BT 312	BT 312-25	BT 312-100
Body	Electrostatic powder coating on hot-dip galvanized steel	Electrostatic powder coating on hot-dip galvanized steel	304 grade (opt. 316 grade) stainless steel
Arms	Electrostatic powder coating on hot-dip galvanized steel, Ø42x2,5 mm.	304 grade (opt. 316 grade)* stainless steel, Ø40x2,0 mm.	304 grade (opt. 316 grade)* stainless steel, Ø40x2,0 mm.

(* Finishing : Satine brushed (opt. electrostatic powder coating on stainless steel).

Indicators / Illumination	Status - Direction Indicators : LED, standard/LED passageway illumination standard.
Power	Operating Voltage : 110/220V AC 50/60 Hz. (±%10), 24V DC. Consumption : ~8,1W at stand-by, during passage ~7,6W (varies according to the options and accessories used).
Operating Modes	System operates bi-directionally (entry-exit). Operation modes can be changed through dip switch, IOS and/or android app. Entry - exit controlled Entry controlled, exit free Entry free, exit controlled Single input both directions use Entry - exit free
Operating System	Electromechanical manual operation (opt. electromechanical motorized operation).
Control System	All functions, parameters and operating modes can be changed through the control board (microprocessor controlled), IOS and/or android app. Firmware can be updated. All past function updates and changes are kept in the server and records can be traced. All inputs are opto-coupler protected. Controllable by dry contact (ground control). Compatible with all kinds of access control device. Optional RS232, RS485 or TCP/IP module is available
Flow Rate	Passage capacity (manual) : max. 48 cycle/min. Nominal : ~25 pass/min. Passage capacity (motorized) : max. 40 cycle/min. Nominal : ~20 pass/min. (nominal passage rate can change depending on the access control system utilized)
Emergency Mode	System allows free passage (entry-exit) in both directions (fail safe). Works compatible with fire warning and similar systems. At the end of an emergency situation, system returns to its normal operating mode.
Power-off Situation	System allows free passage (entry-exit) in both directions (fail safe). Optionally, can be set (fail secure) as; entry-exit locked, entry free-exit locked, or entry locked-exit free. Free passage in chosen direction by manual override key in fail secure option is available.
Weight	~275 kg

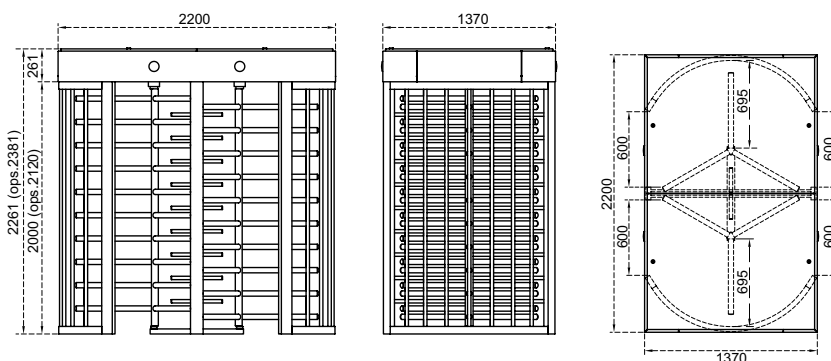


Optional Features and Accessories

Motor driven unit, wireless remote control (receiver-transmitter), manual control, manual override key (with fail secure option), counter (with/without reset), card reader mounting bracket, passage completion sensor, contactless passage sensor (for motorized models), heater positive, canopy, bottom plate (standard or for forklift handling), battery back-up, 316 grade stainless steel, RS232-RS485-TCP/IP modules, limiter, 2120 mm clear passage height, mechanics compartment accessibility from the ceiling, trombone arms, different color choices, compliance with UK H&S regulation of ≤98 mm gap between upright profiles.



Dimensions (mm)



Technical Features

Place of Use Indoors, outdoors

Operating Temperature, Humidity -20°C/+68°C (opt. -50°C with heater positive), RH %95 non-condensing.

Operating Intensity %100, 7/24 use.

Built on main carriers and supported with pipe beams on sides, consisting of waterproof and protecting top lid, mechanical compartment side panels and completely closed ceiling. Can be completely disassembled.
A pair of three-section rotors (120°), each having 10+10 (11+11 in optional 2120 mm clear passage height) one by one demountable arms.
Optionally complies with UK H&S regulation of ≤98 mm gap between upright profiles.

Body / Arm Features

Combination options with different material choices:

	BT 312 D	BT 312 D-25	BT 312 D-100
Body	Electrostatic powder coating on hot-dip galvanized steel	Electrostatic powder coating on hot-dip galvanized steel	304 grade (opt. 316 grade) stainless steel
Arms	Electrostatic powder coating on hot-dip galvanized steel, Ø42x2,5 mm.	304 grade (opt. 316 grade)* stainless steel, Ø40x2,0 mm.	304 grade (opt. 316 grade)* stainless steel, Ø40x2,0 mm.

(*) Finishing : Satine brushed (opt. electrostatic powder coating on stainless steel).

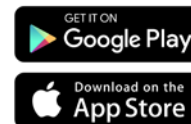
Indicators / Illumination **Status - Direction Indicators** : LED, standard/LED passageway illumination standard.

Power **Operating Voltage** : 110/220V AC 50/60 Hz. (±%10), 24V DC.
Consumption : ~16,2W at stand-by, during passage ~7,6+7,6W (varies according to the options and accessories used).

Operating Modes System operates bi-directionally (entry-exit).
Operation modes can be changed through dip switch, IOS and/or android app.
Entry - exit controlled Entry controlled, exit free Entry free, exit controlled
Single input both directions use Entry - exit free

Operating System Electromechanical manual operation (opt. electromechanical motorized operation).

Control System All functions, parameters and operating modes can be changed through the control board (microprocessor controlled), IOS and/or android app. Firmware can be updated. All past function updates and changes are kept in the server and records can be traced.
All inputs are opto-coupler protected.
Controllable by dry contact (ground control).
Compatible with all kinds of access control device.
Optional RS232, RS485 or TCP/IP module is available.



Flow Rate **Passage capacity (manual)** : max. 96 cycle/min. **Nominal** : ~50 pass/min.
Passage capacity (motorized) : max. 80 cycle/min. **Nominal** : ~40 pass/min.
(nominal passage rate can change depending on the access control system utilized)

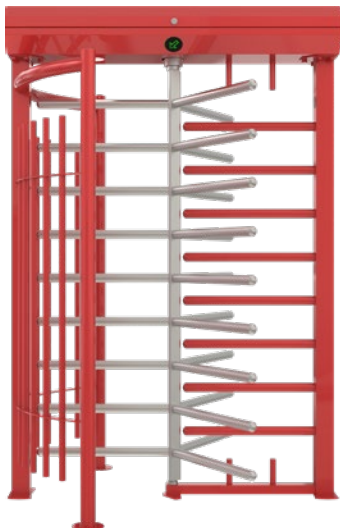
Emergency Mode System allows free passage (entry-exit) in both directions (fail safe). Works compatible with fire warning and similar systems. At the end of an emergency situation, system returns to its normal operating mode.

Power-off Situation System allows free passage (entry-exit) in both directions (fail safe). Optionally, can be set (fail secure) as; entry-exit locked, entry free-exit locked, or entry locked-exit free. Free passage in chosen direction by manual override key in fail secure option is available.

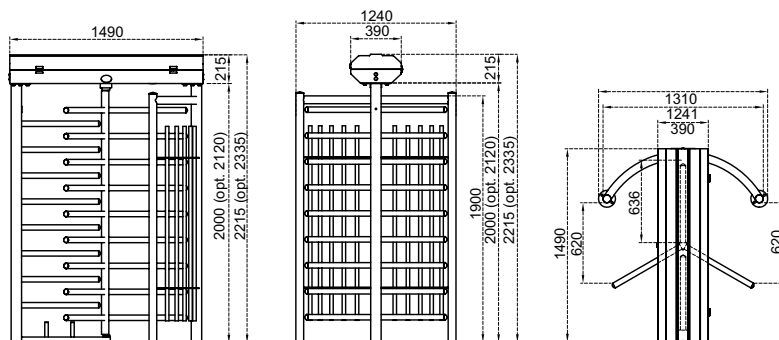
Weight ~530 kg

Optional Features and Accessories Motor driven unit, wireless remote control (receiver-transmitter), manual control, manual override key (with fail secure option), counter (with/without reset), card reader mounting bracket, passage completion sensor, contactless passage sensor (for motorized models), heater positive, canopy, bottom plate (standard or for forklift handling), battery back-up, 316 grade stainless steel, RS232-RS485-TCP/IP modules, limiter, 2120 mm clear passage height, mechanics compartment accessibility from the ceiling, different color choices, compliance with UK H&S regulation of ≤98 mm gap between upright profiles.

BTX 300 N1



Dimensions (mm)



Technical Features

Place of Use	Indoors, outdoors
Operating Temperature, Humidity	-20°C/+68°C (opt. -50°C with heater positive), RH %95 non-condensing.
Operating Intensity	%100, 7/24 use.

Built on main carriers and supported with pipe beams on sides, consisting of waterproof and protected top lid with damper for safety. Can be completely disassembled.

Three-section rotor (120°), each having 9 (10 in optional 2120 mm clear passage height) one by one demountable arms. Complies with UK H&S regulation of ≤98 mm gap between upright profiles.

Combination options with different material choices:

Body / Arm Features	BTX 300 N1	BTX 300 N1-25	BTX 300 N1-100
Body	Electrostatic powder coating on hot-dip galvanized steel	Electrostatic powder coating on hot-dip galvanized steel	304 grade (opt. 316 grade) stainless steel
Arms	Electrostatic powder coating on hot-dip galvanized steel, Ø42x2,5 mm.	304 grade (opt. 316 grade)* stainless steel, Ø40x2,0 mm.	304 grade (opt. 316 grade)* stainless steel, Ø40x2,0 mm.

(*) Finishing : Satine brushed (opt. electrostatic powder coating on stainless steel).

Indicators / Illumination	Status - Direction Indicators : LED, standard/LED passageway illumination standard.
----------------------------------	--

Power	Operating Voltage : 110/220V AC 50/60 Hz. (±%10), 24V DC. Consumption : ~8,1W at stand-by, during passage ~7,6W (varies according to the options and accessories used).
--------------	--

Operating Modes	System operates bi-directionally (entry-exit). Operation modes can be changed through dip switch, IOS and/or android app. Entry - exit controlled Entry controlled, exit free Entry free, exit controlled Single input both directions use Entry - exit free
------------------------	--

Operating System	Electromechanical manual operation (opt. electromechanical motorized operation).
-------------------------	--

Control System	All functions, parameters and operating modes can be changed through the control board (microprocessor controlled), IOS and/or android app. Firmware can be updated. All past function updates and changes are kept in the server and records can be traced.
-----------------------	--

All inputs are opto-coupler protected.
Controllable by dry contact (ground control).
Compatible with all kinds of access control device.
Optional RS232, RS485 or TCP/IP module is available.



Flow Rate	Passage capacity (manual) : max. 48 cycle/min. Nominal : ~25 pass/min. Passage capacity (motorized) : max. 40 cycle/min. Nominal : ~20 pass/min. (nominal passage rate can change depending on the access control system utilized)
------------------	--

Emergency Mode	System allows free passage (entry-exit) in both directions (fail safe). Works compatible with fire warning and similar systems. At the end of an emergency situation, system returns to its normal operating mode.
-----------------------	--

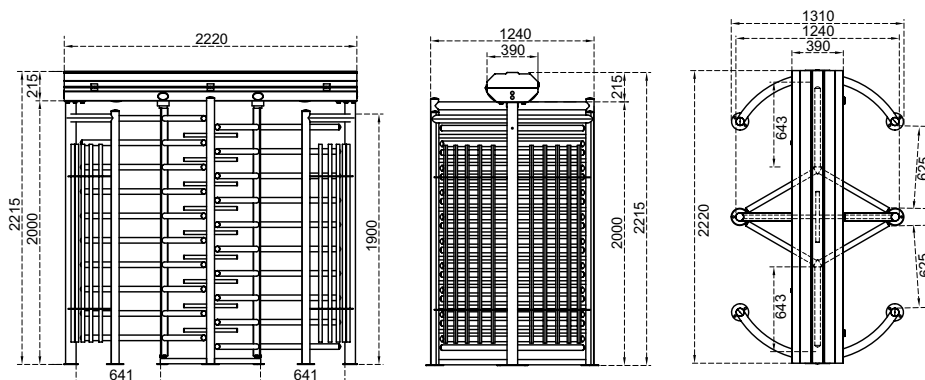
Power-off Situation	System allows free passage (entry-exit) in both directions (fail safe). Optionally, can be set (fail secure) as: entry-exit locked, entry free-exit locked, or entry locked-exit free. Free passage in chosen direction by manual override key in fail secure option is available.
----------------------------	--

Weight	~190 kg
---------------	---------

Optional Features and Accessories	Motor driven unit, wireless remote control (receiver-transmitter), manual control, manual override key (with fail secure option), counter (with/without reset), card reader mounting bracket, passage completion sensor, contactless passage sensor (for motorized models), heater positive, canopy, bottom plate (standard or for forklift handling), battery back-up, 316 grade stainless steel, RS232-RS485-TCP/IP modules, limiter, 2120 mm clear passage height, mechanics compartment accessibility from the ceiling, trombone arms, different color choices.
--	---



Dimensions (mm)



Technical Features

Place of Use	Indoors, outdoors
Operating Temperature, Humidity	-20°C/+68°C (opt. -50°C with heater positive), RH %95 non-condensing.
Operating Intensity	%100, 7/24 use.
	Built on main carriers and supported with pipe beams on sides, consisting of waterproof and protected top lid with damper for safety. Can be completely disassembled. A pair of three-section rotors (120°), each having 10+10 (11+11 in optional 2120 mm clear passage height) one by one demountable arms. Complies with UK H&S regulation of ≤98 mm gap between upright profiles.

Body / Arm Features

Combination options with different material choices:

	BTX 300 N1 D	BTX 300 N1 D-25	BTX 300 N1 D-100
Body	Electrostatic powder coating on hot-dip galvanized steel	Electrostatic powder coating on hot-dip galvanized steel	304 grade (opt. 316 grade) stainless steel
Arms	Electrostatic powder coating on hot-dip galvanized steel, Ø42x2,5 mm.	304 grade (opt. 316 grade)* stainless steel, Ø40x2,0 mm.	304 grade (opt. 316 grade)* stainless steel, Ø40x2,0 mm.

(*) Finishing : Satine brushed (opt. electrostatic powder coating on stainless steel).

Indicators / Illumination	Status - Direction Indicators : LED, standard/LED passageway illumination standard.
Power	Operating Voltage : 110/220V AC 50/60 Hz. (±%10), 24V DC. Consumption : ~16,2W at stand-by, during passage ~7,6+7,6W (varies according to the options and accessories used).
Operating Modes	System operates bi-directionally (entry-exit). Operation modes can be changed through dip switch, IOS and/or android app. Entry - exit controlled Entry controlled, exit free Entry free, exit controlled Single input both directions use Entry - exit free
Operating System	Electromechanical manual operation (opt. electromechanical motorized operation).
Control System	All functions, parameters and operating modes can be changed through the control board (microprocessor controlled), IOS and/or android app. Firmware can be updated. All past function updates and changes are kept in the server and records can be traced. All inputs are opto-coupler protected. Controllable by dry contact (ground control). Compatible with all kinds of access control device. Optional RS232, RS485 or TCP/IP module is available.
Flow Rate	Passage capacity (manual) : max. 96 cycle/min. Nominal : ~50 pass/min. Passage capacity (motorized) : max. 80 cycle/min. Nominal : ~40 pass/min. (nominal passage rate can change depending on the access control system utilized)
Emergency Mode	System allows free passage (entry-exit) in both directions (fail safe). Works compatible with fire warning and similar systems. At the end of an emergency situation, system returns to its normal operating mode.
Power-off Situation	System allows free passage (entry-exit) in both directions (fail safe). Optionally, can be set (fail secure) as; entry-exit locked, entry free-exit locked, or entry locked-exit free. Free passage in chosen direction by manual override key in fail secure option is available.
Weight	~365 kg
Optional Features and Accessories	Motor driven unit, wireless remote control (receiver-transmitter), manual control, manual override key (with fail secure option), counter (with/without reset), card reader mounting bracket, passage completion sensor, contactless passage sensor (for motorized models), heater positive, canopy, bottom plate (standard or for forklift handling), battery back-up, 316 grade stainless steel, RS232-RS485-TCP/IP modules, limiter, 2120 mm clear passage height, mechanics compartment accessibility from the ceiling, different color choices.





76

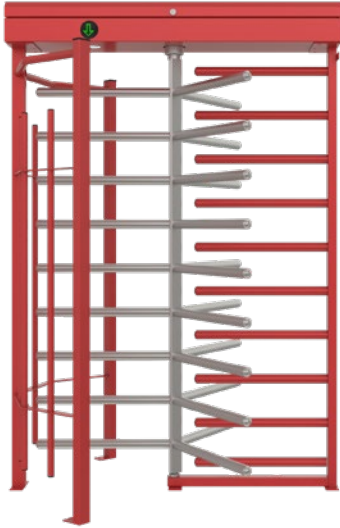
TANIRILMIŞ
KAYI BİLETLERİ
MADENLİK
1914-1918
MADENLİK

Maden ve
Madenlik sektörünün geleceği için...

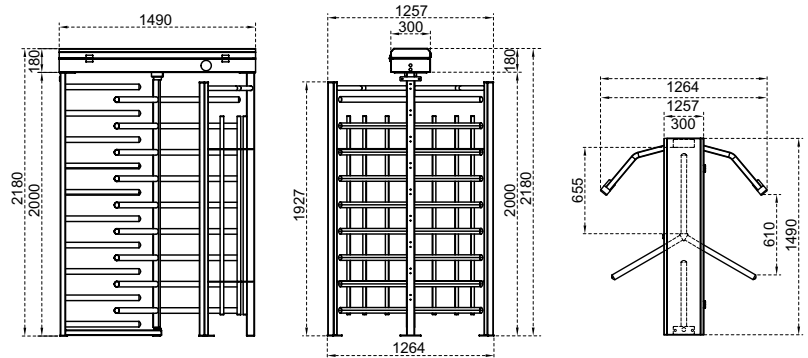


*2011 PE

BTC 300



Dimensions (mm)



Technical Features

Place of Use Indoors, outdoors

Operating Temperature, Humidity -20°C/+68°C (opt. -50°C with heater positive), RH %95 non-condensing.

Operating Intensity %100, 7/24 use.

Built on main carriers and supported with pipe beams on sides, consisting of waterproof and protected top lid with damper for safety. Can be completely disassembled.



Three-section rotor (120°), each having 9 (10 in optional 2120 mm clear passage height) one by one demountable arms. Optionally complies with UK H&S regulation of ≤98 mm gap between upright profiles.

Combination options with different material choices:

Body / Arm Features

	BTC 300	BTC 300-25	BTC 300-100
Body	Electrostatic powder coating on hot-dip galvanized steel	Electrostatic powder coating on hot-dip galvanized steel	304 grade (opt. 316 grade) stainless steel
Arms	Electrostatic powder coating on hot-dip galvanized steel, Ø42x2,5 mm.	304 grade (opt. 316 grade)* stainless steel, Ø40x2,0 mm.	304 grade (opt. 316 grade)* stainless steel, Ø40x2,0 mm.

(*) Finishing : Satine brushed (opt. electrostatic powder coating on stainless steel).

Indicators / Illumination **Status - Direction Indicators** :   LED, standard/LED passageway illumination standard.

Power **Operating Voltage** : 110/220V AC 50/60 Hz. (%±10), 24V DC.
Consumption : ~8,1W at stand-by, during passage ~7,6W (varies according to the options and accessories used).

System operates bi-directionally (entry-exit).

Operating Modes Operation modes can be changed through dip switch, IOS and/or android app.

Entry - exit controlled Entry controlled, exit free Entry free, exit controlled
Single input both directions use Entry - exit free

Operating System Electromechanical manual operation (opt. electromechanical motorized operation).

Control System

All functions, parameters and operating modes can be changed through the control board (microprocessor controlled), IOS and/or android app. Firmware can be updated. All past function updates and changes are kept in the server and records can be traced.

All inputs are opto-coupler protected.

Controllable by dry contact (ground control).

Compatible with all kinds of access control device.

Optional RS232, RS485 or TCP/IP module is available.



Flow Rate

Passage capacity (manual) : max. 48 cycle/min. **Nominal** : ~25 pass/min.

Passage capacity (motorized) : max. 40 cycle/min. **Nominal** : ~20 pass/min.

(nominal passage rate can change depending on the access control system utilized)

Emergency Mode

System allows free passage (entry-exit) in both directions (fail safe). Works compatible with fire warning and similar systems. At the end of an emergency situation, system returns to its normal operating mode.

Power-off Situation

System allows free passage (entry-exit) in both directions (fail safe). Optionally, can be set (fail secure) as; entry-exit locked, entry free-exit locked, or entry locked-exit free. Free passage in chosen direction by manual override key in fail secure option is available.

Weight

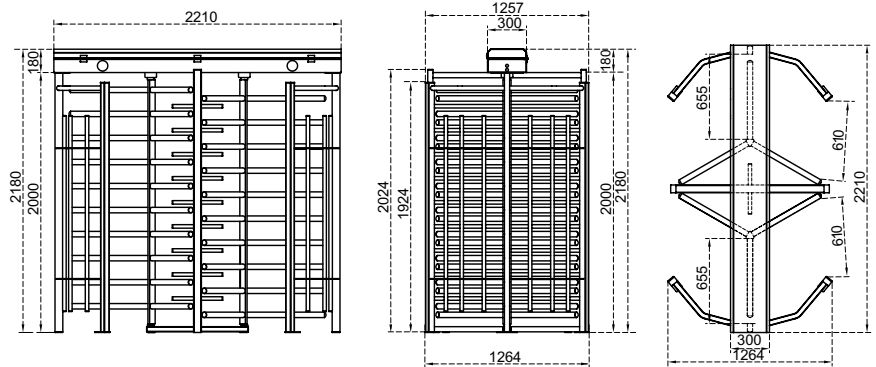
~175 kg

Optional Features and Accessories

Motor driven unit, wireless remote control (receiver-transmitter), manual control, manual override key (with fail secure option), counter (with/without reset), card reader mounting bracket, passage completion sensor, contactless passage sensor (for motorized models), heater positive, canopy, bottom plate (standard or for forklift handling), battery back-up, 316 grade stainless steel, RS232-RS485-TCP/IP modules, limiter, 2120 mm clear passage height, trombone arms, different color choices, compliance with UK H&S regulation of ≤98 mm gap between upright profiles.



Dimensions (mm)



Technical Features

Place of Use	Indoors, outdoors
Operating Temperature, Humidity	-20°C/+68°C (opt. -50°C with heater positive), RH %95 non-condensing.
Operating Intensity	%100, 7/24 use.

Built on main carriers and supported with pipe beams on sides, consisting of waterproof and protected top lid with damper for safety. Can be completely disassembled.

A pair of three-section rotors (120°), each having 10+10 (11+11 in optional 2120 mm clear passage height) one by one demountable arms.

Optionally complies with UK H&S regulation of ≤98 mm gap between upright profiles.

Body / Arm Features

Combination options with different material choices:

	BTC 300 D	BTC 300 D-25	BTC 300 D-100
Body	Electrostatic powder coating on hot-dip galvanized steel	Electrostatic powder coating on hot-dip galvanized steel	304 grade (opt. 316 grade) stainless steel
Arms	Electrostatic powder coating on hot-dip galvanized steel, Ø42x2,5 mm.	304 grade (opt. 316 grade)* stainless steel, Ø40x2,0 mm.	304 grade (opt. 316 grade)* stainless steel, Ø40x2,0 mm.

(*) Finishing : Satine brushed (opt. electrostatic powder coating on stainless steel).

Indicators / Illumination	Status - Direction Indicators :   LED, standard/LED passageway illumination standard.
----------------------------------	--

Power	Operating Voltage : 110/220V AC 50/60 Hz. (%±10), 24V DC. Consumption : ~16,2W at stand-by, during passage ~7,6+7,6W (varies according to the options and accessories used).
--------------	---

System operates bi-directionally (entry-exit).

Operation modes can be changed through dip switch, IOS and/or android app.

Operating Modes	Entry - exit controlled Entry controlled, exit free Entry free, exit controlled Single input both directions use Entry - exit free
------------------------	--

Operating System	Electromechanical manual operation (opt. electromechanical motorized operation).
-------------------------	--

Control System	All functions, parameters and operating modes can be changed through the control board (microprocessor controlled), IOS and/or android app. Firmware can be updated. All past function updates and changes are kept in the server and records can be traced. All inputs are opto-coupler protected. Controllable by dry contact (ground control). Compatible with all kinds of access control device. Optional RS232, RS485 or TCP/IP module is available.
-----------------------	--



Flow Rate	Passage capacity (manual) : max. 96 cycle/min. Nominal : ~50 pass/min. Passage capacity (motorized) : max. 80 cycle/min. Nominal : ~40 pass/min. (nominal passage rate can change depending on the access control system utilized)
------------------	--

Emergency Mode	System allows free passage (entry-exit) in both directions (fail safe). Works compatible with fire warning and similar systems. At the end of an emergency situation, system returns to its normal operating mode.
-----------------------	--

Power-off Situation	System allows free passage (entry-exit) in both directions (fail safe). Optionally, can be set (fail secure) as; entry-exit locked, entry free-exit locked, or entry locked-exit free. Free passage in chosen direction by manual override key in fail secure option is available.
----------------------------	--

Weight	~335 kg
---------------	---------

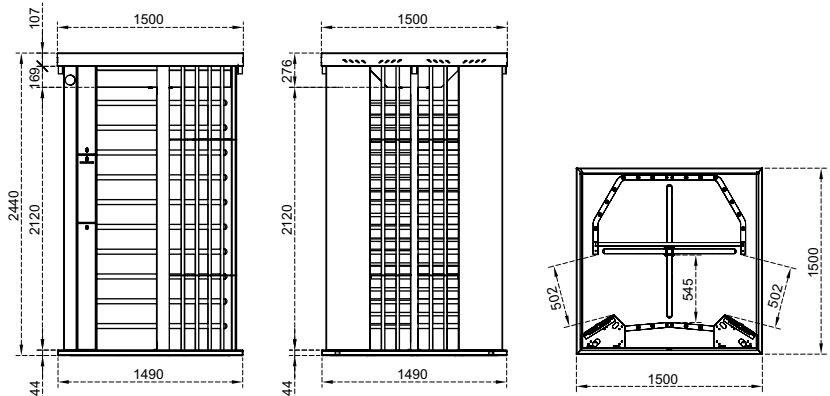
Optional Features and Accessories	Motor driven unit, wireless remote control (receiver-transmitter), manual control, manual override key (with fail secure option), counter (with/without reset), card reader mounting bracket, passage completion sensor, contactless passage sensor (for motorized models), heater positive, canopy, bottom plate (standard or for forklift handling), battery back-up, 316 grade stainless steel, RS232-RS485-TCP/IP modules, limiter, 2120 mm clear passage height, different color choices, compliance with UK H&S regulation of ≤98 mm gap between upright profiles.
--	--

*Design and specifications are subject to change without notice.





Dimensions (mm)



Technical Features

Place of Use	Indoors, outdoors
Operating Temperature, Humidity	-20°C/+68°C (opt. -50°C with heater positive), RH %95 non-condensing.
Operating Intensity	%100, 7/24 use.

Consisting of floor with anti-slip aluminium coated stainless steel sub-chasis, body built on main carriers and supported with pipes and box type beams on sides, stainless steel waterproof roof covered with corrugated steel, with rain gutters and completely closed ceiling. There are columns with 3 sections designed for installation of electronic system, card reader and access control systems in both entry and exit directions.

The mechanics compartment is accessible from the ceiling.

Four-section rotor (90°), each having 10 one by one demountable arms.

Complies with UK H&S regulation of ≤98 mm gap between upright profiles.

Body / Arm Features

Body	304 grade (opt. 316 grade) stainless steel.
Arms	304 grade (opt. 316 grade)* stainless steel, Ø40x2,0 mm.

(*) Finishing : Satine brushed (opt. electrostatic powder coating on stainless steel).

Indicators / Illumination	Status - Direction Indicators : LED, standard/LED passageway illumination standard.
	Passage Indicator : RGB LED, standard.
Power	Operating Voltage : 110/220V AC 50/60 Hz. (%±10), 24V DC.
	Consumption : ~8,1W at stand-by, during passage ~7,6W (varies according to the options and accessories used).

Operating Modes	System operates bi-directionally (entry-exit).
	Operation modes can be changed through dip switch, IOS and/or android app.
	Entry - exit controlled Entry controlled, exit free Entry free, exit controlled
	Single input both directions use Entry - exit free

Operating System	Electromechanical manual operation (opt. electromechanical motorized operation).
-------------------------	--

Control System	All functions, parameters and operating modes can be changed through the control board (microprocessor controlled), IOS and/or android app. Firmware can be updated. All past function updates and changes are kept in the server and records can be traced.
	All inputs are opto-coupler protected.
	Controllable by dry contact (ground control).
	Compatible with all kinds of access control device. Optional RS232, RS485 or TCP/IP module is available.



Flow Rate	Passage capacity (manual) : max. 48 cycle/min. Nominal : ~25 pass/min.
	Passage capacity (motorized) : max. 40 cycle/min. Nominal : ~20 pass/min. (nominal passage rate can change depending on the access control system utilized)

Emergency Mode	System allows free passage (entry-exit) in both directions (fail safe). Works compatible with fire warning and similar systems. At the end of an emergency situation, system returns to its normal operating mode.
-----------------------	--

Power-off Situation	System allows free passage (entry-exit) in both directions (fail safe). Optionally, can be set (fail secure) as: entry-exit locked, entry free-exit locked, or entry locked-exit free. Free passage in chosen direction by manual override key in fail secure option is available.
----------------------------	--

Weight	~480 kg
---------------	---------

Optional Features and Accessories	Motor driven unit, wireless remote control (receiver-transmitter), manual control, manual override key (with fail secure option), counter (with/without reset), card reader mounting bracket, passage completion sensor, contactless passage sensor (for motorized models), heater positive, canopy, battery back-up, 316 grade stainless steel, RS232-RS485-TCP/IP modules, limiter, trombone arms, different color choices, motorized card collector unit and card collection box.
--	--





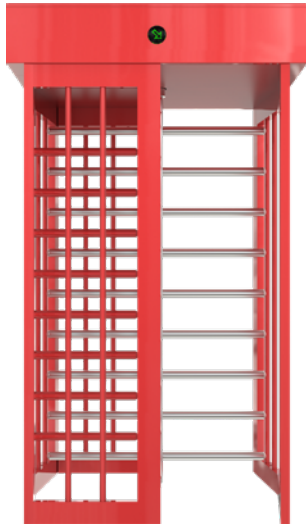
D6

411 412

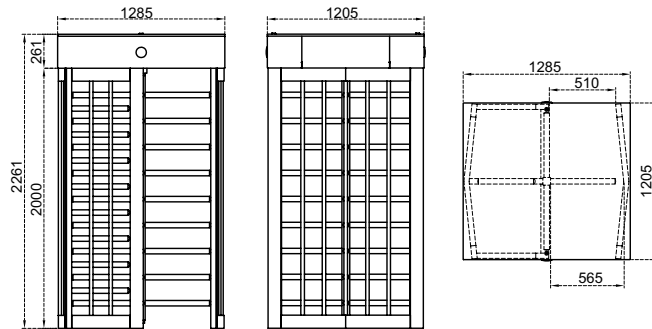
D6

413
414-415

BT 402



Dimensions (mm)



Technical Features

Place of Use Indoors, outdoors

Operating Temperature, Humidity -20°C/+68°C (opt. -50°C with heater positive), RH %95 non-condensing.

Operating Intensity %100, 7/24 use.

Built on main carriers and supported with pipe beams on sides, consisting of waterproof and protected top lid, mechanical compartment side panels and completely closed ceiling. Can be completely disassembled.



Four-section rotor (90°), each having 9 (10 in optional 2120 mm clear passage height) one by one demountable arms. Optionally complies with UK H&S regulation of ≤98 mm gap between upright profiles.

Combination options with different material choices:

Body / Arm Features

	BT 402	BT 402-25	BT 402-100
Body	Electrostatic powder coating on hot-dip galvanized steel	Electrostatic powder coating on hot-dip galvanized steel	304 grade (opt. 316 grade) stainless steel
Arms	Electrostatic powder coating on hot-dip galvanized steel, Ø42x2,5 mm.	304 grade (opt. 316 grade)* stainless steel, Ø40x2,0 mm.	304 grade (opt. 316 grade)* stainless steel, Ø40x2,0 mm.

(*) Finishing : Satine brushed (opt. electrostatic powder coating on stainless steel).

Indicators / Illumination **Status - Direction Indicators** :   LED, standard/LED passageway illumination standard.

Power **Operating Voltage** : 110/220V AC 50/60 Hz. (±%10), 24V DC.
Consumption : ~8,1W at stand-by, during passage ~7,6W (varies according to the options and accessories used).

System operates bi-directionally (entry-exit).

Operating Modes Operation modes can be changed through dip switch, IOS and/or android app.

Entry - exit controlled Entry controlled, exit free Entry free, exit controlled
Single input both directions use Entry - exit free

Operating System Electromechanical manual operation (opt. electromechanical motorized operation).

Control System

All functions, parameters and operating modes can be changed through the control board (microprocessor controlled), IOS and/or android app. Firmware can be updated. All past function updates and changes are kept in the server and records can be traced.

All inputs are opto-coupler protected.

Controllable by dry contact (ground control).

Compatible with all kinds of access control device.

Optional RS232, RS485 or TCP/IP module is available.



Flow Rate

Passage capacity (manual) : max. 48 cycle/min. **Nominal** : ~25 pass/min.

Passage capacity (motorized) : max. 40 cycle/min. **Nominal** : ~20 pass/min.

(nominal passage rate can change depending on the access control system utilized)

Emergency Mode

System allows free passage (entry-exit) in both directions (fail safe). Works compatible with fire warning and similar systems. At the end of an emergency situation, system returns to its normal operating mode.

Power-off Situation

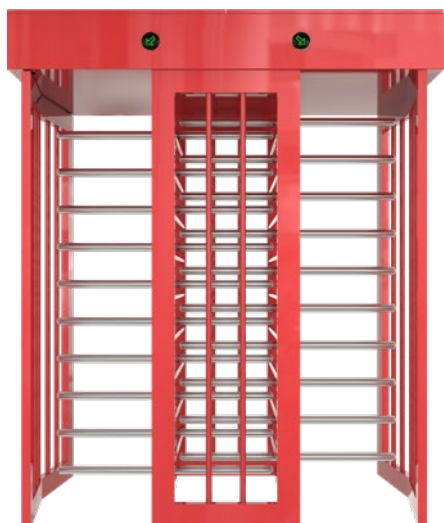
System allows free passage (entry-exit) in both directions (fail safe). Optionally, can be set (fail secure) as; entry-exit locked, entry free-exit locked, or entry locked-exit free. Free passage in chosen direction by manual override key in fail secure option is available.

Weight

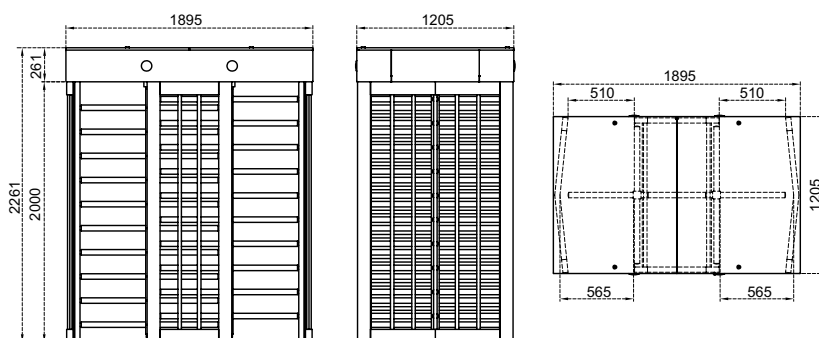
~235 kg

Optional Features and Accessories

Motor driven unit, wireless remote control (receiver-transmitter), manual control, manual override key (with fail secure option), counter (with/without reset), card reader mounting bracket, passage completion sensor, contactless passage sensor (for motorized models), heater positive, canopy, bottom plate (standard or for forklift handling), battery back-up, 316 grade stainless steel, RS232-RS485-TCP/IP modules, limiter, 2120 mm clear passage height, mechanics compartment accessibility from the ceiling, trombone arms, different color choices, comp-liance with UK H&S regulation of ≤98 mm gap between upright profiles.



Dimensions (mm)



Technical Features

Place of Use Indoors, outdoors

Operating Temperature, Humidity -20°C/+68°C (opt. -50°C with heater positive), RH %95 non-condensing.

Operating Intensity %100, 7/24 use.

Built on main carriers and supported with pipe beams on sides, consisting of waterproof and protected top lid, mechanical compartment side panels and completely closed ceiling. Can be completely disassembled.
A pair of four-section rotors (90°), each having 10+10 (11+11 in optional 2120 mm clear passage height) one by one demountable arms.
Optionally complies with UK H&S regulation of ≤98 mm gap between upright profiles.

Body / Arm Features

Combination options with different material choices:

	BT 402 D	BT 402 D-25	BT 402 D-100
Body	Electrostatic powder coating on hot-dip galvanized steel	Electrostatic powder coating on hot-dip galvanized steel	304 grade (opt. 316 grade) stainless steel
Arms	Electrostatic powder coating on hot-dip galvanized steel, Ø42x2,5 mm.	304 grade (opt. 316 grade)* stainless steel, Ø40x2,0 mm.	304 grade (opt. 316 grade)* stainless steel, Ø40x2,0 mm.

(*) Finishing : Satine brushed (opt. electrostatic powder coating on stainless steel).

Indicators / Illumination **Status - Direction Indicators** : LED, standard/LED passageway illumination standard.

Power **Operating Voltage** : 110/220V AC 50/60 Hz. (±%10), 24V DC.
Consumption : ~16,2W at stand-by, during passage ~7,6+7,6W (varies according to the options and accessories used).

Operating Modes System operates bi-directionally (entry-exit).
Operation modes can be changed through dip switch, IOS and/or android app.
Entry - exit controlled Entry controlled, exit free Entry free, exit controlled
Single input both directions use Entry - exit free

Operating System Electromechanical manual operation (opt. electromechanical motorized operation).

Control System All functions, parameters and operating modes can be changed through the control board (microprocessor controlled), IOS and/or android app. Firmware can be updated. All past function updates and changes are kept in the server and records can be traced.
All inputs are opto-coupler protected.
Controllable by dry contact (ground control).
Compatible with all kinds of access control device.
Optional RS232, RS485 or TCP/IP module is available.



Flow Rate **Passage capacity (manual)** : max. 96 cycle/min. **Nominal** : ~50 pass/min.
Passage capacity (motorized) : max. 80 cycle/min. **Nominal** : ~40 pass/min.
(nominal passage rate can change depending on the access control system utilized)

Emergency Mode System allows free passage (entry-exit) in both directions (fail safe). Works compatible with fire warning and similar systems. At the end of an emergency situation, system returns to its normal operating mode.

Power-off Situation System allows free passage (entry-exit) in both directions (fail safe). Optionally, can be set (fail secure) as; entry-exit locked, entry free-exit locked, or entry locked-exit free. Free passage in chosen direction by manual override key in fail secure option is available.

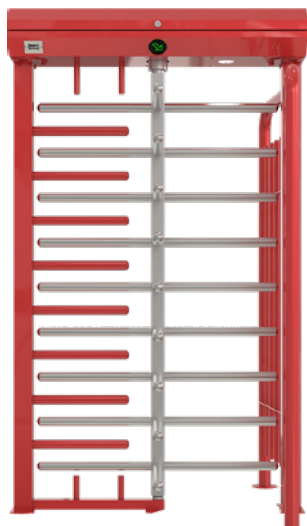
Weight ~460 kg

Optional Features and Accessories

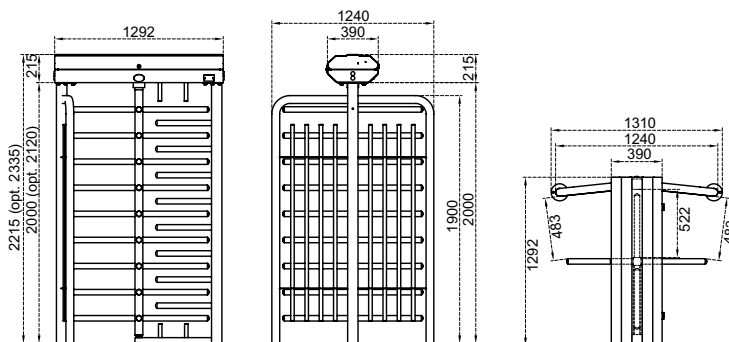
Motor driven unit, wireless remote control (receiver-transmitter), manual control, manual override key (with fail secure option), counter (with/without reset), card reader mounting bracket, passage completion sensor, contactless passage sensor (for motorized models), heater positive, canopy, bottom plate (standard or for forklift handling), battery back-up, 316 grade stainless steel, RS232-RS485-TCP/IP modules, limiter, 2120 mm clear passage height, mechanics compartment accessibility from the ceiling, different color choices, compliance with UK H&S regulation of ≤98 mm gap between upright profiles.

*Design and specifications are subject to change without notice.

BTX 400 N1



Dimensions (mm)



Technical Features

Place of Use Indoors, outdoors

Operating Temperature, Humidity -20°C/+68°C (opt. -50°C with heater positive), RH %95 non-condensing.

Operating Intensity %100, 7/24 use.

Built on main carriers and supported with pipe beams on sides, consisting of waterproof and protected top lid with damper for safety. Can be completely disassembled.

Four-section rotor (90°), each having 9 (10 in optional 2120 mm clear passage height) one by one demountable arms. Complies with UK H&S regulation of ≤98 mm gap between upright profiles.

Combination options with different material choices:

Body / Arm Features

	BTX 400 N1	BTX 400 N1-25	BTX 400 N1-100
Body	Electrostatic powder coating on hot-dip galvanized steel	Electrostatic powder coating on hot-dip galvanized steel	304 grade (opt. 316 grade) stainless steel
Arms	Electrostatic powder coating on hot-dip galvanized steel, Ø42x2,5 mm.	304 grade (opt. 316 grade)* stainless steel, Ø40x2,0 mm.	304 grade (opt. 316 grade)* stainless steel, Ø40x2,0 mm.

(*) Finishing : Satine brushed (opt. electrostatic powder coating on stainless steel).

Indicators / Illumination **Status - Direction Indicators** : LED, standard/LED passageway illumination standard.

Power **Operating Voltage** : 110/220V AC 50/60 Hz. (±%10), 24V DC.
Consumption : ~8,1W at stand-by, during passage ~7,6W (varies according to the options and accessories used).

Operating Modes System operates bi-directionally (entry-exit).
Operation modes can be changed through dip switch, IOS and/or android app.
Entry - exit controlled Entry controlled, exit free Entry free, exit controlled
Single input both directions use Entry - exit free

Operating System Electromechanical manual operation (opt. electromechanical motorized operation).

Control System All functions, parameters and operating modes can be changed through the control board (microprocessor controlled), IOS and/or android app. Firmware can be updated. All past function updates and changes are kept in the server and records can be traced.
All inputs are opto-coupler protected.
Controllable by dry contact (ground control).
Compatible with all kinds of access control device.
Optional RS232, RS485 or TCP/IP module is available.



Flow Rate **Passage capacity (manual)** : max. 48 cycle/min. **Nominal** : ~25 pass/min.
Passage capacity (motorized) : max. 40 cycle/min. **Nominal** : ~20 pass/min.
(nominal passage rate can change depending on the access control system utilized)

Emergency Mode System allows free passage (entry-exit) in both directions (fail safe). Works compatible with fire warning and similar systems. At the end of an emergency situation, system returns to its normal operating mode.

Power-off Situation System allows free passage (entry-exit) in both directions (fail safe). Optionally, can be set (fail secure) as; entry-exit locked, entry free-exit locked, or entry locked-exit free. Free passage in chosen direction by manual override key in fail secure option is available.

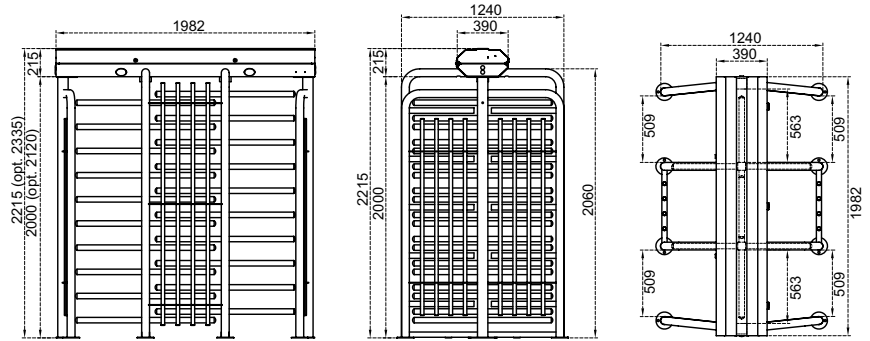
Weight ~175 kg

Optional Features and Accessories

Motor driven unit, wireless remote control (receiver-transmitter), manual control, manual override key (with fail secure option), counter (with/without reset), card reader mounting bracket, passage completion sensor, contactless passage sensor (for motorized models), heater positive, canopy, bottom plate (standard or for forklift handling), battery back-up, 316 grade stainless steel, RS232-RS485-TCP/IP modules, limiter, 2120 mm clear passage height, mechanics compartment accessibility from the ceiling, trombone arms, different color choices.



Dimensions (mm)



Technical Features

Place of Use	Indoors, outdoors
Operating Temperature, Humidity	-20°C/+68°C (opt. -50°C with heater positive), RH %95 non-condensing.
Operating Intensity	%100, 7/24 use.

Built on main carriers and supported with pipe beams on sides, consisting of waterproof and protected top lid with damper for safety. Can be completely disassembled.

A pair of four-section rotors (90°), each having 10+10 (11+11 in optional 2120 mm clear passage height) one by one demountable arms.

Complies with UK H&S regulation of ≤98 mm gap between upright profiles.

Body / Arm Features

Combination options with different material choices:

	BTX 400 N1 D	BTX 400 N1 D-25	BTX 400 N1 D-100
Body	Electrostatic powder coating on hot-dip galvanized steel	Electrostatic powder coating on hot-dip galvanized steel	304 grade (opt. 316 grade) stainless steel
Arms	Electrostatic powder coating on hot-dip galvanized steel, Ø42x2,5 mm.	304 grade (opt. 316 grade)* stainless steel, Ø40x2,0 mm.	304 grade (opt. 316 grade)* stainless steel, Ø40x2,0 mm.

(*) Finishing : Satine brushed (opt. electrostatic powder coating on stainless steel).

Indicators / Illumination	Status - Direction Indicators : LED, standard/LED passageway illumination standard.
Power	Operating Voltage : 110/220V AC 50/60 Hz. (±%10), 24V DC. Consumption : ~16,2W at stand-by, during passage ~7,6+7,6W (varies according to the options and accessories used).
Operating Modes	System operates bi-directionally (entry-exit). Operation modes can be changed through dip switch, IOS and/or android app. Entry - exit controlled Entry controlled, exit free Entry free, exit controlled Single input both directions use Entry - exit free
Operating System	Electromechanical manual operation (opt. electromechanical motorized operation).
Control System	All functions, parameters and operating modes can be changed through the control board (microprocessor controlled), IOS and/or android app. Firmware can be updated. All past function updates and changes are kept in the server and records can be traced. All inputs are opto-coupler protected. Controllable by dry contact (ground control). Compatible with all kinds of access control device. Optional RS232, RS485 or TCP/IP module is available.
Flow Rate	Passage capacity (manual) : max. 96 cycle/min. Nominal : ~50 pass/min. Passage capacity (motorized) : max. 80 cycle/min. Nominal : ~40 pass/min. (nominal passage rate can change depending on the access control system utilized)
Emergency Mode	System allows free passage (entry-exit) in both directions (fail safe). Works compatible with fire warning and similar systems. At the end of an emergency situation, system returns to its normal operating mode.
Power-off Situation	System allows free passage (entry-exit) in both directions (fail safe). Optionally, can be set (fail secure) as; entry-exit locked, entry free-exit locked, or entry locked-exit free. Free passage in chosen direction by manual override key in fail secure option is available.
Weight	~420 kg
Optional Features and Accessories	Motor driven unit, wireless remote control (receiver-transmitter), manual control, manual override key (with fail secure option), counter (with/without reset), card reader mounting bracket, passage completion sensor, contactless passage sensor (for motorized models), heater positive, canopy, bottom plate (standard or for forklift handling), battery back-up, 316 grade stainless steel, RS232-RS485-TCP/IP modules, limiter, 2120 mm clear passage height, mechanics compartment accessibility from the ceiling, different color choices.





ULDUZLAR ARENASI SIZI SALAMLAYIR!

RANCE

RİŞ

PUBLIC ENT

ÜMUMİ C

BOXES
15,16,1

SEKTÖR
SA
PİYAS
PİYAS
PİYAS

Türkcell arena



ULDUZLAR ARENASI SIZI SALAMLAYIR!

ULDUZLAR ARENASI SIZI SALAMLAYIR!

ULDUZLAR ARENASI SIZI SALAMLAYIR!

ANCE
giriş

PUBLIC ENTRANCE
AMLIMI GİRİŞ

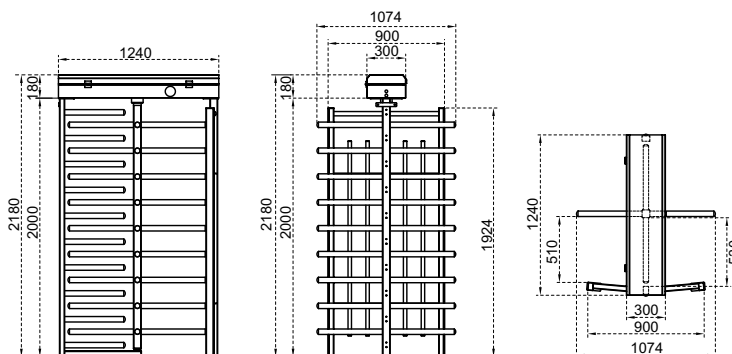
ANCE
giriş



BTC 400



Dimensions (mm)



Technical Features

Place of Use	Indoors, outdoors
Operating Temperature, Humidity	-20°C/+68°C (opt. -50°C with heater positive), RH %95 non-condensing.
Operating Intensity	%100, 7/24 use.

Built on main carriers and supported with pipe beams on sides, consisting of waterproof and protected top lid with damper for safety. Can be completely disassembled.
 Four-section rotor (90°), each having 9 (10 in optional 2120 mm clear passage height) one by one demountable arms.
 Optionally complies with UK H&S regulation of ≤98 mm gap between upright profiles.

Combination options with different material choices:

Body / Arm Features	BTC 400	BTC 400-25	BTC 400-100
Body	Electrostatic powder coating on hot-dip galvanized steel	Electrostatic powder coating on hot-dip galvanized steel	304 grade (opt. 316 grade) stainless steel
Arms	Electrostatic powder coating on hot-dip galvanized steel, Ø42x2,5 mm.	304 grade (opt. 316 grade)* stainless steel, Ø40x2,0 mm.	304 grade (opt. 316 grade)* stainless steel, Ø40x2,0 mm.

(* Finishing : Satine brushed (opt. electrostatic powder coating on stainless steel).

Indicators / Illumination	Status - Direction Indicators : LED, standard/LED passageway illumination standard.
----------------------------------	--

Power	Operating Voltage : 110/220V AC 50/60 Hz. (±%10), 24V DC. Consumption : ~8,1W at stand-by, during passage ~7,6W (varies according to the options and accessories used).
--------------	--

Operating Modes	System operates bi-directionally (entry-exit). Operation modes can be changed through dip switch, IOS and/or android app. Entry - exit controlled Entry controlled, exit free Entry free, exit controlled Single input both directions use Entry - exit free
------------------------	--

Operating System	Electromechanical manual operation (opt. electromechanical motorized operation).
-------------------------	--

Control System	All functions, parameters and operating modes can be changed through the control board (microprocessor controlled), IOS and/or android app. Firmware can be updated. All past function updates and changes are kept in the server and records can be traced. All inputs are opto-coupler protected. Controllable by dry contact (ground control). Compatible with all kinds of access control device. Optional RS232, RS485 or TCP/IP module is available.
-----------------------	--



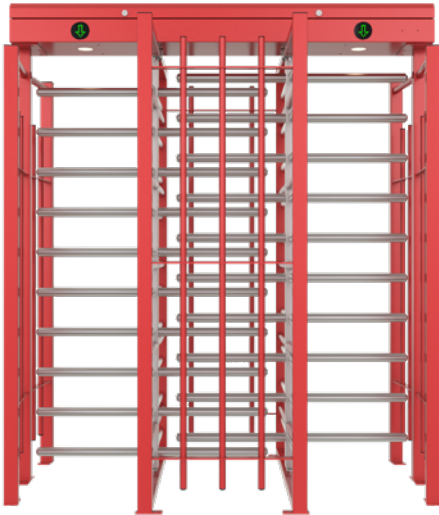
Flow Rate	Passage capacity (manual) : max. 48 cycle/min. Nominal : ~25 pass/min. Passage capacity (motorized) : max. 40 cycle/min. Nominal : ~20 pass/min. (nominal passage rate can change depending on the access control system utilized)
------------------	--

Emergency Mode	System allows free passage (entry-exit) in both directions (fail safe). Works compatible with fire warning and similar systems. At the end of an emergency situation, system returns to its normal operating mode.
-----------------------	--

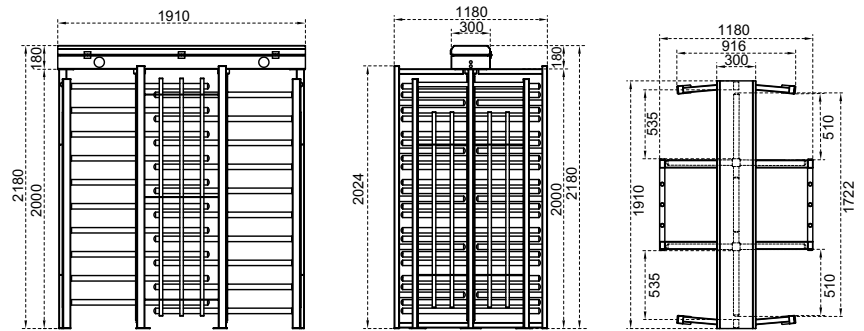
Power-off Situation	System allows free passage (entry-exit) in both directions (fail safe). Optionally, can be set (fail secure) as; entry-exit locked, entry free-exit locked, or entry locked-exit free. Free passage in chosen direction by manual override key in fail secure option is available.
----------------------------	--

Weight	~145 kg
---------------	---------

Optional Features and Accessories	Motor driven unit, wireless remote control (receiver-transmitter), manual control, manual override key (with fail secure option), counter (with/without reset), card reader mounting bracket, passage completion sensor, contactless passage sensor (for motorized models), heater positive, canopy, bottom plate (standard or for forklift handling), battery back-up, 316 grade stainless steel, RS232-RS485-TCP/IP modules, limiter, 2120 mm clear passage height, trombone arms, different color choices, compliance with UK H&S regulation (≤98 mm gap between up-right profiles).
--	---



Dimensions (mm)



Technical Features

Place of Use	Indoors, outdoors
Operating Temperature, Humidity	-20°C/+68°C (opt. -50°C with heater positive), RH %95 non-condensing.
Operating Intensity	%100, 7/24 use.

Built on main carriers and supported with pipe beams on sides, consisting of waterproof and protected top lid with damper for safety. Can be completely disassembled.

A pair of four-section rotors (90°), each having 10+10 (11+11 in optional 2120 mm clear passage height) one by one demountable arms.

Optionally complies with UK H&S regulation of ≤98 mm gap between upright profiles.

Body / Arm Features

Combination options with different material choices:

	BTC 400 D	BTC 400 D-25	BTC 400 D-100
Body	Electrostatic powder coating on hot-dip galvanized steel	Electrostatic powder coating on hot-dip galvanized steel	304 grade (opt. 316 grade) stainless steel
Arms	Electrostatic powder coating on hot-dip galvanized steel, Ø42x2,5 mm.	304 grade (opt. 316 grade)* stainless steel, Ø40x2,0 mm.	304 grade (opt. 316 grade)* stainless steel, Ø40x2,0 mm.

(*) Finishing : Satine brushed (opt. electrostatic powder coating on stainless steel).

Indicators / Illumination	Status - Direction Indicators : LED, standard/LED passageway illumination standard.
----------------------------------	--

Power	Operating Voltage : 110/220V AC 50/60 Hz. (±%10), 24V DC. Consumption : ~16,2W at stand-by, during passage ~7,6+7,6W (varies according to the options and accessories used).
--------------	---

System operates bi-directionally (entry-exit).

Operating Modes	Operation modes can be changed through dip switch, IOS and/or android app. Entry - exit controlled Entry controlled, exit free Entry free, exit controlled Single input both directions use Entry - exit free
------------------------	--

Operating System	Electromechanical manual operation (opt. electromechanical motorized operation).
-------------------------	--

Control System	All functions, parameters and operating modes can be changed through the control board (microprocessor controlled), IOS and/or android app. Firmware can be updated. All past function updates and changes are kept in the server and records can be traced. All inputs are opto-coupler protected. Controllable by dry contact (ground control). Compatible with all kinds of access control device. Optional RS232, RS485 or TCP/IP module is available.
-----------------------	--



Flow Rate	Passage capacity (manual) : max. 96 cycle/min. Nominal : ~50 pass/min. Passage capacity (motorized) : max. 80 cycle/min. Nominal : ~40 pass/min. (nominal passage rate can change depending on the access control system utilized)
------------------	--

Emergency Mode	System allows free passage (entry-exit) in both directions (fail safe). Works compatible with fire warning and similar systems. At the end of an emergency situation, system returns to its normal operating mode.
-----------------------	--

Power-off Situation	System allows free passage (entry-exit) in both directions (fail safe). Optionally, can be set (fail secure) as; entry-exit locked, entry free-exit locked, or entry locked-exit free. Free passage in chosen direction by manual override key in fail secure option is available.
----------------------------	--

Weight	~345 kg
---------------	---------

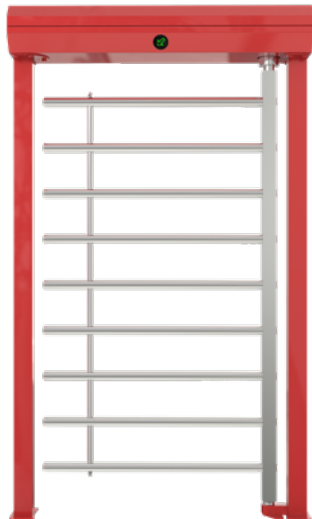
Optional Features and Accessories	Motor driven unit, wireless remote control (receiver-transmitter), manual control, manual override key (with fail secure option), counter (with/without reset), card reader mounting bracket, passage completion sensor, contactless passage sensor (for motorized models), heater positive, canopy, bottom plate (standard or for forklift handling), battery back-up, 316 grade stainless steel, RS232-RS485-TCP/IP modules, limiter, 2120 mm clear passage height, different color choices, compliance with UK H&S regulation of ≤98 mm gap between upright profiles.
--	--



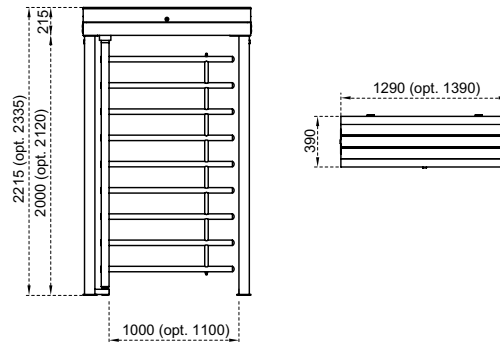
EXIT GATES

98	BT 100 (MOTORIZED)
99	PEGA 100 (MANUAL)

BT 100 (MOTORIZED)



Dimensions (mm)



Technical Features

Place of Use Indoors, outdoors

Operating Temperature, Humidity -20°C/+68°C (opt. -50°C with heater positive), RH %95 non-condensing.

Operating Intensity %100, 7/24 use.

Built on box beam main carriers and consisting of waterproof and protected top lid with damper for safety. Can be completely disassembled.

Single-section rotor having 9 (10 in optional 2120 mm clear passage height) one by one demountable arms.

Combination options with different material choices:

Body / Arm Features	BT 100	BT 100-25	BT 100-100
Body	Electrostatic powder coating on hot-dip galvanized steel	Electrostatic powder coating on hot-dip galvanized steel	304 grade (opt. 316 grade) stainless steel
Arms	Electrostatic powder coating on hot-dip galvanized steel, Ø42x2,5 mm.	304 grade (opt. 316 grade)* stainless steel, Ø40x2,0 mm.	304 grade (opt. 316 grade)* stainless steel, Ø40x2,0 mm.

(*) Finishing : Satine brushed (opt. electrostatic powder coating on stainless steel).

Indicators / Illumination **Status - Direction Indicators** : LED, standard/LED passageway illumination standard.

Power **Operating Voltage** : 110/220V AC 50/60 Hz. (%±10), 24V DC.
Consumption : ~8W at stand-by, max ~44W (varies according to the options and accessories used).

Operating Modes System operates bi-directionally (entry-exit).
Operation modes can be changed through dip switch, IOS and/or android app.
Entry - exit controlled Entry - exit free (with optional photocell support) Entry controlled, exit free (with optional photocell support)
Entry free, exit controlled (with optional photocell support)

Operating System Electromechanical motorized operation.

Control System All functions, parameters and operating modes can be changed through the control board (microprocessor controlled), IOS and/or android app. Firmware can be updated. All past function updates and changes are kept in the server and records can be traced.

All inputs are opto-coupler protected.
Controllable by dry contact (ground control).
Compatible with all kinds of access control device.
Optional RS232, RS485 or TCP/IP module is available.



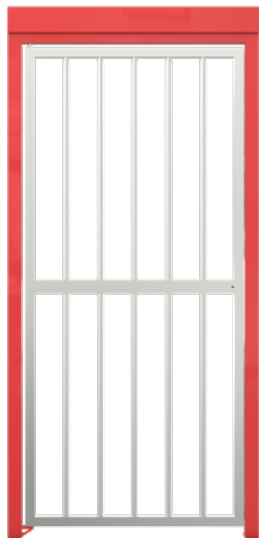
Flow Rate Wing opening/closing time : ~1,5 sec.

Emergency Mode System provides a free passageway (entry-exit) by opening the wing in preferred direction configured by dip switch (fail safe). Works compatible with fire warning and similar systems. At the end of an emergency situation, system returns to its normal operating mode.

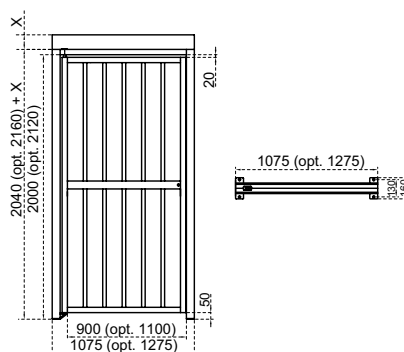
Power-off Situation System provides a free passageway (entry-exit) by manually pushing the wing towards entry or exit directions (fail safe). Optionally, can be set as entry-exit locked (fail secure). Free passageway can be granted by manual override key in fail secure option.

Weight ~105 kg

Optional Features and Accessories Wireless remote control (receiver-transmitter), manual control, manual override key (with fail secure option), counter (with/without reset), card reader mounting bracket, heater positive, canopy, bottom plate (standard or for forklift handling), battery back-up, 316 grade stainless steel, RS232-RS485-TCP/IP modules, limiter, 2120 mm clear passage height, 900-1100 mm clear passage width, trombone arms, photocell for free mode, different color choices.



Dimensions (mm)



Technical Features

Place of Use Indoors, outdoors

Operating Intensity %100, 7/24 use.

Built on box beam main carriers and consisting of complementary top panels. 90° opening wing frame consists of box beams and pipes.

Combination options with different material choices:

	PEGA 100	PEGA 100-25	PEGA 100-100
Body / Wing Features			
Body	Electrostatic powder coating on hot-dip galvanized steel	Electrostatic powder coating on hot-dip galvanized steel	304 grade (opt. 316 grade) stainless steel
Wing	Electrostatic powder coating on hot-dip galvanized steel	304 grade (opt. 316 grade)* stainless steel	304 grade (opt. 316 grade)* stainless steel.

(*) Finishing : Satine brushed (opt. electrostatic powder coating on stainless steel).

Power **Operating Voltage** : None for standard model (24V DC for optional electromagnetic lock).

Operating Modes System operates uni-directionally (clockwise or anti-clockwise). Wing opens and closes 90° by pushing.

Operating System Mechanical manual operation with standard manual lock.

Emergency Mode System provides a free passageway (entry-exit) by opening the lock manually and pushing the wing. Wing becomes free for a passageway (entry-exit) with optional electromagnetic lock and works compatible with fire warning and similar systems. At the end of an emergency situation, system returns to its normal operating mode (in case there is a hydraulic door closer).

Power-off Situation Electromagnetic lock (if any) becomes disabled, and the wing is pushed manually to create a free passageway.

Weight ~60 kg

Optional Features and Accessories Wireless remote control (receiver-transmitter, with electromagnetic lock option), manual control (with electromagnetic lock option), electromagnetic lock, 316 grade stainless steel, 2120 mm clear passage height, 900-1100 mm clear passage width, LED status indicator (with electromagnetic lock option), hydraulic door closer, different color choices.



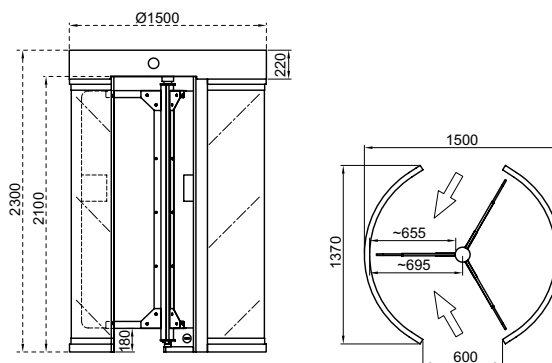
GLASS FULL HEIGHT SERIES

102 BT 302 GL
103 BT 402 GL



BT 302 GL

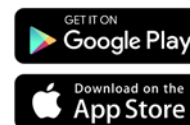


Dimensions (mm)



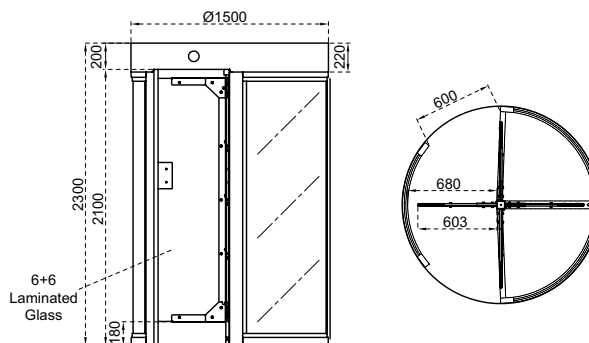
Technical Features

Place of Use	Indoors (opt. outdoors)	
Operating Temperature, Humidity	-20°C/+68°C (opt. -50°C with heater positive), RH %95 non-condensing.	
Operating Intensity	%100, 7/24 use.	
Body / Wing Features	Built on stainless steel main carrier beams, supported with box beams on sides, contains rounded glass walls, protecting top lid, mechanical compartment side panels and completely closed ceiling. The mechanics compartment is accessible from the ceiling. Contains three-wings rotor (120°).	
	Body	304 grade (opt. 316 grade)* stainless steel body and 4+4 mm laminated glass walls.
	Wings	12 mm tempered glass mounted on 304 grade (opt. 316 grade)* stainless steel rotor.
	(*) Finishing : Orbital brushed matt.	
Indicators / Illumination	Status - Direction Indicators :	  LED, standard/LED passageway illumination standard.
Power	Operating Voltage	: 110/220V AC 50/60 Hz. (%±10), 24V DC.
	Consumption	: ~14W at stand-by, max ~50W (varies according to the options and accessories used).
Operating Modes	System operates bi-directionally (entry-exit). Operation modes can be changed through dip switch, IOS and/or android app.	
	Entry - exit controlled	Entry controlled, exit free Entry free, exit controlled
	Single input both directions use	Entry - exit free
Operating System	Electromechanical manual operation (opt. electromechanical motorized operation).	
Control System	All functions, parameters and operating modes can be changed through the control board (microprocessor controlled), IOS and/or android app. Firmware can be updated. All past function updates and changes are kept in the server and records can be traced. All inputs are opto-coupler protected. Controllable by dry contact (ground control). Compatible with all kinds of access control device. Optional RS232, RS485 or TCP/IP module is available.	
Flow Rate	Passage capacity (manual)	: max. 30 cycle/min. Nominal : ~20 pass/min.
	Passage capacity (motorized)	: max. 20 cycle/min. Nominal : ~15 pass/min. (nominal passage rate can change depending on the access control system utilized)
Emergency Mode	System allows free passage (entry-exit) in both directions (fail safe). Works compatible with fire warning and similar systems. At the end of an emergency situation, system returns to its normal operating mode.	
Power-off Situation	System allows free passage (entry-exit) in both directions (fail safe). Optionally, can be set (fail secure) as; entry-exit locked, entry free-exit locked, or entry locked-exit free. Free passage in chosen direction by manual override key in fail secure option is available.	
Weight	~560 kg	
Optional Features and Accessories	Motor driven unit, wireless remote control (receiver-transmitter), manual control, manual override key (with fail secure option), counter (with/without reset), card reader mounting bracket, passage completion sensor, contactless passage sensor (for motorized models), heater positive, bottom plate (standard or for forklift handling), battery back-up, 316 grade stainless steel, RS232-RS485-TCP/IP modules, limiter.	







Dimensions (mm)



Technical Features

Place of Use	Indoors, outdoors				
Operating Temperature, Humidity	-20°C/+68°C (opt. -50°C with heater positive), RH %95 non-condensing.				
Operating Intensity	%100, 7/24 use.				
Body / Wing Features	<p>Built on stainless steel main carrier beams, supported with box beams on sides, contains rounded glass walls, protecting top lid, mechanical compartment side panels and completely closed ceiling. The mechanics compartment is accessible from the ceiling. Contains four-wings rotor (90°).</p> <table border="1"> <tr> <td>Body</td> <td>304 grade (opt. 316 grade)* stainless steel body and 4+4 mm laminated glass walls.</td> </tr> <tr> <td>Wings</td> <td>12 mm tempered glass mounted on 304 grade (opt. 316 grade)* stainless steel rotor.</td> </tr> </table> <p>(*) Finishing : Orbital brushed matt.</p>	Body	304 grade (opt. 316 grade)* stainless steel body and 4+4 mm laminated glass walls.	Wings	12 mm tempered glass mounted on 304 grade (opt. 316 grade)* stainless steel rotor.
Body	304 grade (opt. 316 grade)* stainless steel body and 4+4 mm laminated glass walls.				
Wings	12 mm tempered glass mounted on 304 grade (opt. 316 grade)* stainless steel rotor.				
Indicators / Illumination	Status - Direction Indicators : LED, standard/LED passageway illumination standard.				
Power	<p>Operating Voltage : 110/220V AC 50/60 Hz. (±%10), 24V DC. Consumption : ~14W at stand-by, max ~50W (varies according to the options and accessories used).</p>				
Operating Modes	<p>System operates bi-directionally (entry-exit). Operation modes can be changed through dip switch, IOS and/or android app. Entry - exit controlled Entry controlled, exit free Entry free, exit controlled Single input both directions use Entry - exit free</p>				
Operating System	Electromechanical manual operation (opt. electromechanical motorized operation).				
Control System	<p>All functions, parameters and operating modes can be changed through the control board (microprocessor controlled), IOS and/or android app. Firmware can be updated. All past function updates and changes are kept in the server and records can be traced. All inputs are opto-coupler protected. Controllable by dry contact (ground control). Compatible with all kinds of access control device. Optional RS232, RS485 or TCP/IP module is available.</p> <div style="text-align: right;">   </div>				
Flow Rate	<p>Passage capacity (manual) : max. 30 cycle/min. Nominal : ~20 pass/min. Passage capacity (motorized) : max. 20 cycle/min. Nominal : ~15 pass/min. (nominal passage rate can change depending on the access control system utilized)</p>				
Emergency Mode	System allows free passage (entry-exit) in both directions (fail safe). Works compatible with fire warning and similar systems. At the end of an emergency situation, system returns to its normal operating mode.				
Power-off Situation	System allows free passage (entry-exit) in both directions (fail safe). Optionally, can be set (fail secure) as; entry-exit locked, entry free-exit locked, or entry locked-exit free. Free passage in chosen direction by manual override key in fail secure option is available.				
Weight	~590 kg				
Optional Features and Accessories	Motor driven unit, wireless remote control (receiver-transmitter), manual control, manual override key (with fail secure option), counter (with/without reset), card reader mounting bracket, passage completion sensor, contactless passage sensor (for motorized models), heater positive, bottom plate (standard or for forklift handling), battery back-up, 316 grade stainless steel, RS232-RS485-TCP/IP modules, limiter.				



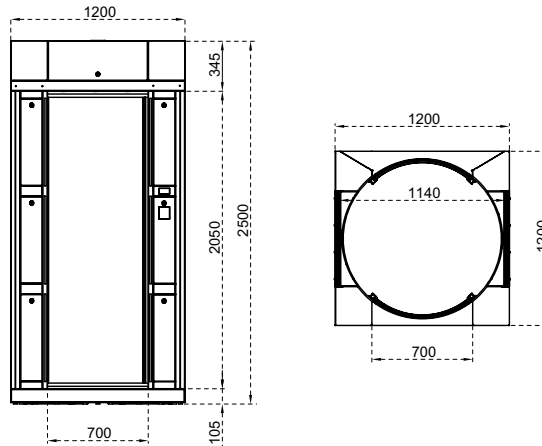
HIGH SECURITY SERIES

106	CGG - SQ - AIR
112	CGG 100
114	CGC 100

CGG - SQ - AIR



Dimensions (mm)



Technical Features

Place of Use	Indoors
Operating Temperature, Humidity	-20°C/+68°C (opt. -50°C with heater positive), RH %95 non-condensing.
Operating Intensity	%100, 7/24 use.

Made of 4 supporting main carrier columns placed on the lower chassis, glass walls and a completely closed ceiling with 2 lockable lids. Main carrier columns consist of 3 sections designed for installation of electronic system, card reader and access control systems. Optionally, a control point is available for real person verification (with biometric reader systems) with a column mounted in the passage corridor.

System has a rotating door structure independently on the entry and exit sides consisting of box profiles and rounded glass walls on the edges.

Body / Door Features

Gate is furnished with anti-tightening feature by rubber seals with pneumatic pressure sensor on glass doors and electronic torque control.

Body	Electrostatic powder coated (RAL 7021) steel body, 4+4 mm laminated glass (opt. BR class bullet-proof glass) walls.
Doors	Electrostatic powder coated (RAL 7021) aluminium beams, 4+4 mm rounded laminated glass (opt. BR class bullet-proof glass).

(*) Finishing : Orbital brushed matt.

Indicators / Illumination	Status - Direction Indicators : DOT MATRIX and strip LED, standard / LED interior illumination standard.
----------------------------------	---

Power	Operating Voltage : 110/220V AC 50/60 Hz. (%±10), 24V DC. Consumption : ~40W at stand-by, max ~130W (varies according to the options and accessories used).
--------------	--

System operates bi-directionally (entry-exit).

Operation modes can be changed through dip switch, IOS and/or android app.

Operating Modes

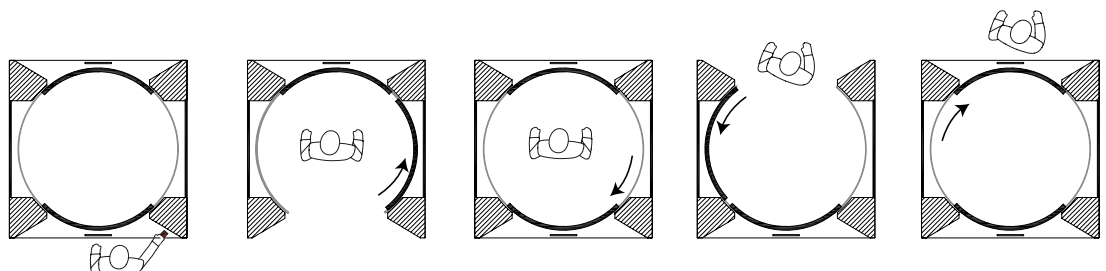
Entry - exit controlled Entry controlled, exit free Entry free, exit controlled
Entry - exit free Entry-exit internal biometric control mode

Can be customised for site specific access algorithms.

Operating System

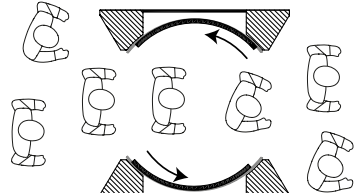
Electromechanical motorised doors are closed for both ways at stand-by (opt. open for one direction).

Person requests authorisation from the access control device (3rd party device) connected to the gate's entry system. Upon authorisation, first door opens allowing person enter inside. First door closes upon detection of the person inside by the presence sensor on the gate ceiling (in case the person do not enter, door closes at the end of time-out set previously). At both doors in closed position, weight and presence sensors once more control the presence of the person inside. Second doors opens in case there is a person inside and if he is authorised for access (otherwise, second door never opens, gate returns the person to his entry direction or keeps the person locked inside). Upon exit of the person, second door closes and systems returns to stand-by for next passage.

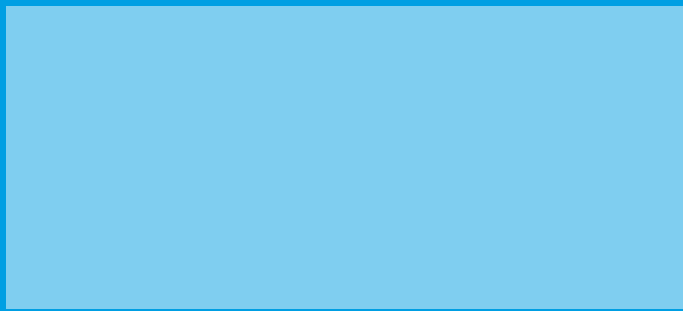
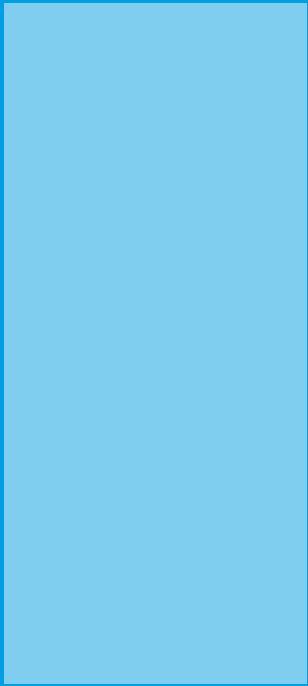


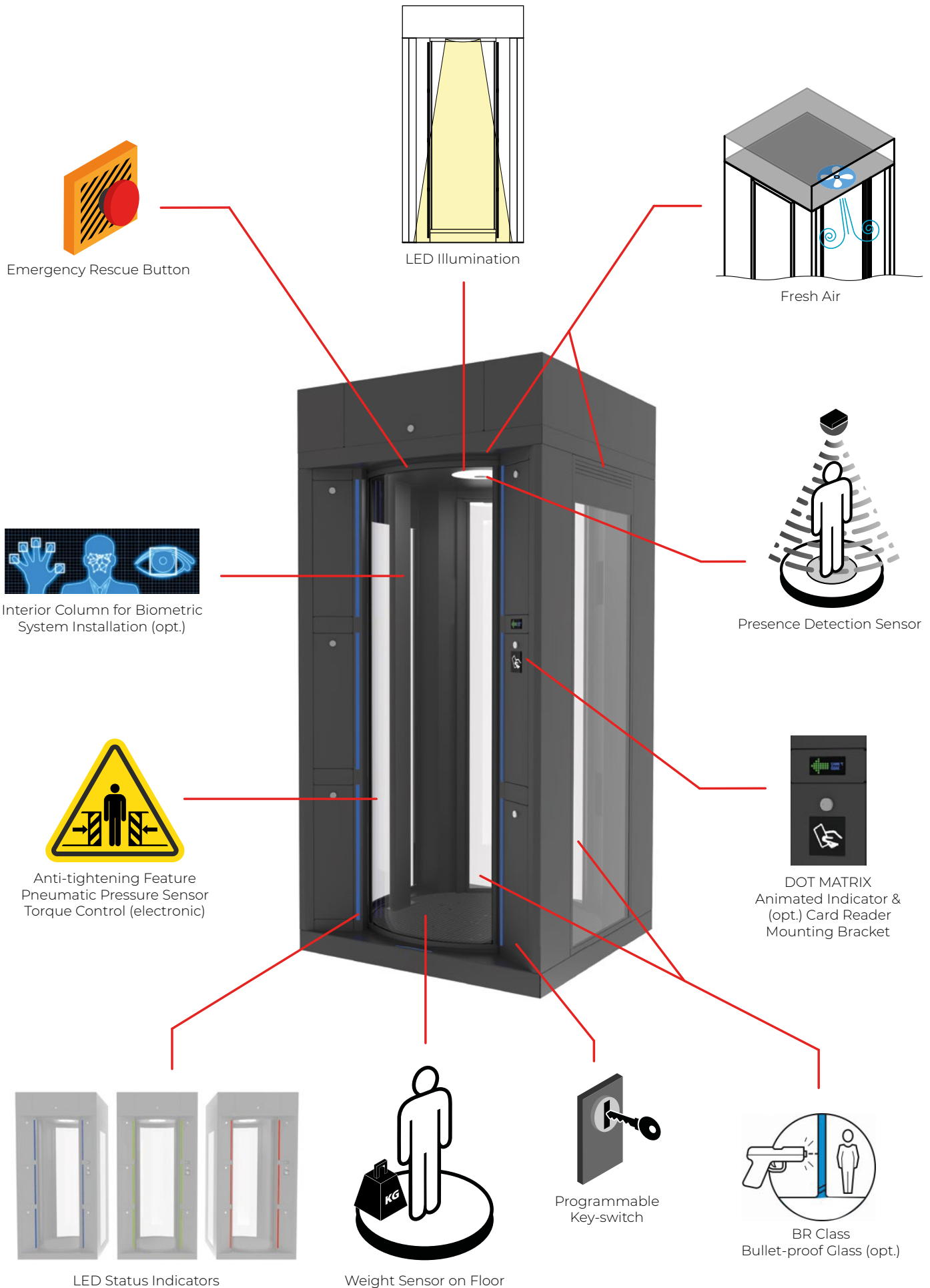
Optionally, a control point is available for real person verification (with 3rd party product biometric reader systems) with a column mounted in the passage corridor. Upon presence inside and at doors closed position, person requests a second authorisation and according to the authorisation, the second door opens and person completes his passage or returns to his entry direction. At the end of the process, door returns to stand-by position and remains locked.

In case of pushing the emergency rescue button inside the cabin, the entry door opens (or can be programmed for another action). Gate generates audio and/or visual alarm or relay output in cases of; passage can not be completed on time, the door is forced, presence of more than one person inside is detected, non-authorisation, the emergency rescue button is pushed, an unsolicited situation detected by the sensors.

Control System	<p>All functions, parameters and operating modes can be changed through the control board (microprocessor controlled), IOS and/or android app. Firmware can be updated. All past function updates and changes are kept in the server and records can be traced.</p> <p>All inputs are opto-coupler protected.</p> <p>Controllable by dry contact (ground control).</p> <p>Compatible with all kinds of access control device.</p> <p>Optional RS232, RS485 or TCP/IP module is available.</p> <p>Gate operates by a position controlled (by encoder) motor driven and electronic torque controlled system.</p> <p>Functions such as all sensors, motor, indicators, passage scenarios and alarms are controlled by the electronic control unit containing a programmable microprocessor. Thanks to the microprocessors, no re-setting is necessary in case of a power failure. Electronic control unit is placed into the main carrier columns of the gate.</p> <p>Passage can be restricted externally by enable/disable feature even though access authorisation has been granted.</p> <p>Gate has a vibration resistant, microprocessor controlled, industrial design adaptable to meet any user demand. Motor driven, two independent mechanics systems are controlled by a single electronic control unit.</p> <p>Rotation speed and limitations of the doors are managed by encoder controlled P.I.D. system. Rotation speeds are continuously checked with the feedback from the encoder and motor driver card keeps the speed at the same level preventing slower or faster rotation.</p> <p>An electronic control card controlling the mechanics regulates all movements and outputs and in case of need a 485 output is optionally available for PC.</p>
Flow Rate	<p>Passage capacity (motorized) : ~4 person/min. (Passage capacity can change depending on the access control system utilized)</p>
Emergency Mode	<p>Both doors open automatically and system allows free passage (entry-exit) in both directions (fail safe). Works compatible with fire warning and similar systems. At the end of an emergency situation, system returns to its normal operating mode.</p> 
Power-off Situation	<p>System allows free passage (entry-exit) in both directions (fail safe) by pushing the doors manually. Optionally, can be set entry-exit locked (fail secure). Free passage by manual override key in fail secure option is available.</p>
Weight	<p>~460 kg</p>
Safety	<p>Moving doors contain pneumatic soft pressure sensors. In addition to pneumatic sensors, electronic torque control feature has been added.</p> <p>Continuous fresh air ventilation is provided in the passage area.</p>
Cleaning, Maintenance, Manual Interference	<p>Gate is furnished by a programmable key switch button on one side of the gate adjacent to the door.</p> <p>This button is programmable for the function desired by the user and set as default for opening one door for cleaning-maintenance or can be programmed for various requirements (i.e. manually evacuation of the person inside, unlocking of 1st or 2nd door, etc).</p>
Optional Features and Accessories	<p>Interior biometric system mounting column, card reader mounting bracket, mounting/connection guide for any type of safety sensors and detectors, BR class bullet-proof glass, different color options, manual override key (with fail secure option), heater positive, battery back-up, 316 grade stainless steel, RS232-RS485-TCP/IP modules, limiter, motorized card collector unit and card collection box.</p>







*Design and specifications are subject to change without notice.



Hafta İçi Açılış: 07.00
Kapanış: 23.00

Hafta Sonu Açılış: 08.00
Kapanış: 21.00

KAPİYİ
AÇMAK İÇİN

1. SİF-
RENİ
DİR

2. AVUC
İÇİNİ
OKUT

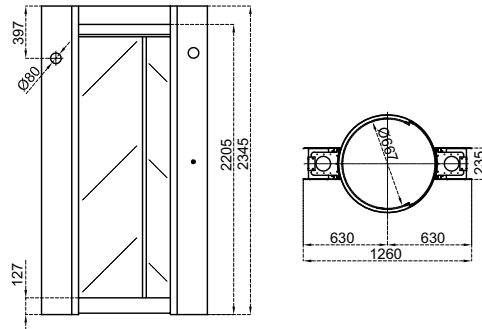




CGG 100





Dimensions (mm)



Technical Features

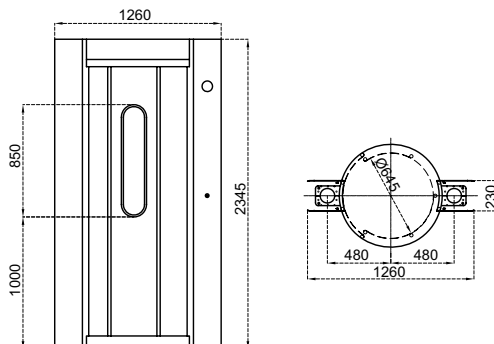
Place of Use	Indoors				
Operating Temperature, Humidity	-20°C/+68°C (opt. -50°C with heater positive), RH %95 non-condensing.				
Operating Intensity	%100, 7/24 use.				
Body / Door Features	<p>Made of 4 supporting main carrier columns and pipe beams placed on the lower chassis, rounded glass walls body and top lid and a completely closed ceiling. Main carrier columns are designed for installation of electronic system, card reader and access control systems. Side columns are designed for installation between walls.</p> <table border="1"> <tr> <td>Body</td> <td>Electrostatic powder coated steel and 304 grade stainless steel body, 4+4 mm laminated glass walls.</td> </tr> <tr> <td>Doors</td> <td>4+4 mm rounded laminated glass.</td> </tr> </table>	Body	Electrostatic powder coated steel and 304 grade stainless steel body, 4+4 mm laminated glass walls.	Doors	4+4 mm rounded laminated glass.
Body	Electrostatic powder coated steel and 304 grade stainless steel body, 4+4 mm laminated glass walls.				
Doors	4+4 mm rounded laminated glass.				
Indicators / Illumination	Status - Direction Indicators : LED standard / LED interior illumination and LED interior indicators standard.				
Power	<p>Operating Voltage : 110/220V AC 50/60 Hz. (%±10), 24V DC.</p> <p>Consumption : ~20W at stand-by, max ~130W (varies according to the options and accessories used).</p>				
Operating Modes	<p>System operates bi-directionally (entry-exit). Operation modes can be changed through dip switch, IOS and/or android app.</p> <p>Entry - exit controlled Entry controlled, exit free Entry free, exit controlled Entry - exit internal biometric control mode</p> <p>Can be customised for site specific access algorithms.</p>				
Operating System	<p>Electromechanical motorised doors are closed for both ways at stand-by (opt. open for one direction). Person requests authorisation from the access control device (3rd party device) connected to the gate's entry system. Upon authorisation, door opens allowing person enter inside. Door closes upon detection of the person inside by the presence sensor on the gate ceiling (in case the person do not enter, door closes at the end of time-out set previously). Weight and presence sensors once more control the presence of the person inside. Door opens to the exit direction in case there is a person inside and if he is authorised for access (otherwise, door never opens to the exit direction, gate returns the person to his entry direction or keeps the person locked inside). Upon exit of the person, door closes and systems returns to stand-by for next passage.</p> <p>Optionally, a control point is available for real person verification (with 3rd party product biometric reader systems) with a column mounted in the passage corridor. Upon presence inside and at door closed position, person requests a second authorisation and according to the authorisation, the door opens and person completes his passage or returns to his entry direction. At the end of the process, door returns to stand-by position and remains locked.</p> <p>In case of pushing the emergency rescue button inside the cabin, the door opens to the entry direction (or can be programmed for another action). Gate generates audio and/or visual alarm and relay output in cases of; passage can not be completed on time, the door is forced, presence of more than one person inside is detected, non-authorisation, the emergency rescue button is pushed, an unsolicited situation detected by the sensors.</p>				

Control System	<p>All functions, parameters and operating modes can be changed through the control board (microprocessor controlled), IOS and/or android app. Firmware can be updated. All past function updates and changes are kept in the server and records can be traced.</p> <p>All inputs are opto-coupler protected.</p> <p>Controllable by dry contact (ground control).</p> <p>Compatible with all kinds of access control device.</p> <p>Optional RS232, RS485 or TCP/IP module is available.</p> <p>Gate operates by a position controlled (by encoder) motor driven and electronic torque controlled system.</p> <p>Functions such as all sensors, motor, indicators, passage scenarios and alarms are controlled by the electronic control unit containing a programmable microprocessor. Thanks to the microprocessors, no re-setting is necessary in case of a power failure. Electronic control unit is placed into the main carrier columns of the gate.</p> <p>Passage can be restricted externally by enable/disable feature even though access authorisation has been granted.</p> <p>Gate has a vibration resistant, microprocessor controlled, industrial design adaptable to meet any user demand. Motor driven door is controlled by an electronic control unit.</p> <p>Rotation speed and limitations of the doors are managed by encoder controlled P.I.D. system. Rotation speeds are continuously checked with the feedback from the encoder and motor driver card keeps the speed at the same level preventing slower or faster rotation.</p> <p>An electronic control card controlling the mechanics regulates all movements and outputs and in case of need a 485 output is optionally available for PC.</p>	 
Flow Rate	<p>Passage capacity (motorized) : ~4 person/min. (Passage capacity can change depending on the access control system utilized)</p>	
Emergency Mode	<p>System allows free passage (entry-exit) in both directions (fail safe) by pushing the door manually. Works compatible with fire warning and similar systems. At the end of an emergency situation, system returns to its normal operating mode.</p>	
Power-off Situation	<p>System allows free passage (entry-exit) in both directions (fail safe) by pushing the doors manually. Optionally, can be set entry-exit locked (fail secure). Free passage by manual override key in fail secure option is available.</p>	
Weight	<p>~300 kg</p>	
Cleaning, Maintenance, Manual Interference	<p>Gate is furnished by a programmable key switch button on one side of the gate adjacent to the door. This button is programmable for the function desired by the user and set as default for opening the door for cleaning-maintenance or can be programmed for various requirements (i.e. manually evacuation of the person inside, unlocking of the door, etc).</p>	
Optional Features and Accessories	<p>Weight sensor, interior biometric system mounting column, card reader mounting bracket, mounting/connection guide for any type of safety sensors and detectors, different color options, manual override key (with fail secure option), heater positive, battery back-up, RS232-RS485-TCP/IP modules, limiter, motorized card collector unit and card collection box.</p>	



CGC 100





Dimensions (mm)



Technical Features

Place of Use	Indoors				
Operating Temperature, Humidity	-20°C/+68°C (opt. -50°C with heater positive), RH %95 non-condensing.				
Operating Intensity	%100, 7/24 use.				
Body / Door Features	<p>Made of 4 supporting main carrier columns and pipe beams placed on the lower chassis, rounded stainless steel walls body and top lid and a completely closed ceiling. Main carrier columns are designed for installation of electronic system, card reader and access control systems. Side columns are designed for installation between walls.</p> <table border="1"> <tr> <td>Body</td> <td>Electrostatic powder coated steel and 304 grade stainless steel.</td> </tr> <tr> <td>Doors</td> <td>Rounded form 304 grade stainless steel and acrylic window.</td> </tr> </table>	Body	Electrostatic powder coated steel and 304 grade stainless steel.	Doors	Rounded form 304 grade stainless steel and acrylic window.
Body	Electrostatic powder coated steel and 304 grade stainless steel.				
Doors	Rounded form 304 grade stainless steel and acrylic window.				
Indicators / Illumination	Status - Direction Indicators :   LED standard / LED interior illumination and interior indicators standard.				
Power	<p>Operating Voltage : 110/220V AC 50/60 Hz. (%±10), 24V DC.</p> <p>Consumption : ~20W at stand-by, max ~130W (varies according to the options and accessories used).</p>				
Operating Modes	<p>System operates bi-directionally (entry-exit). Operation modes can be changed through dip switch, IOS and/or android app. Entry - exit controlled Entry controlled, exit free Entry free, exit controlled Entry - exit internal biometric control mode Can be customised for site specific access algorithms.</p> <p>Electromechanical motorised doors are closed for both ways at stand-by (opt. open for one direction). Person requests authorisation from the access control device (3rd party device) connected to the gate's entry system. Upon authorisation, door opens allowing person enter inside. Door closes upon detection of the person inside by the presence sensor on the gate ceiling (in case the person do not enter, door closes at the end of time-out set previously). Weight and presence sensors once more control the presence of the person inside. Door opens to the exit direction in case there is a person inside and if he is authorised for access (otherwise, door never opens to the exit direction, gate returns the person to his entry direction or keeps the person locked inside). Upon exit of the person, door closes and systems returns to stand-by for next passage.</p>				
Operating System	<p>Optionally, a control point is available for real person verification (with 3rd party product biometric reader systems) with a column mounted in the passage corridor. Upon presence inside and at door closed position, person requests a second authorisation and according to the authorisation, the door opens and person completes his passage or returns to his entry direction. At the end of the process, door returns to stand-by position and remains locked.</p> <p>In case of pushing the emergency rescue button inside the cabin, the door opens to the entry direction (or can be programmed for another action). Gate generates audio and/or visual alarm and relay output in cases of; passage can not be completed on time, the door is forced, presence of more than one person inside is detected, non-authorisation, the emergency rescue button is pushed, an unsolicited situation detected by the sensors.</p>				

Control System	<p>All functions, parameters and operating modes can be changed through the control board (microprocessor controlled), IOS and/or android app. Firmware can be updated. All past function updates and changes are kept in the server and records can be traced.</p> <p>All inputs are opto-coupler protected.</p> <p>Controllable by dry contact (ground control).</p> <p>Compatible with all kinds of access control device.</p> <p>Optional RS232, RS485 or TCP/IP module is available.</p> <p>Gate operates by a position controlled (by encoder) motor driven and electronic torque controlled system.</p> <p>Functions such as all sensors, motor, indicators, passage scenarios and alarms are controlled by the electronic control unit containing a programmable microprocessor. Thanks to the microprocessors, no re-setting is necessary in case of a power failure. Electronic control unit is placed into the main carrier columns of the gate.</p> <p>Passage can be restricted externally by enable/disable feature even though access authorisation has been granted.</p> <p>Gate has a vibration resistant, microprocessor controlled, industrial design adaptable to meet any user demand. Motor driven door is controlled by an electronic control unit.</p> <p>Rotation speed and limitations of the doors are managed by encoder controlled P.I.D. system. Rotation speeds are continuously checked with the feedback from the encoder and motor driver card keeps the speed at the same level preventing slower or faster rotation.</p> <p>An electronic control card controlling the mechanics regulates all movements and outputs and in case of need a 485 output is optionally available for PC.</p>	 
Flow Rate	<p>Passage capacity (motorized) : ~4 person/min. (Passage capacity can change depending on the access control system utilized)</p>	
Emergency Mode	<p>System allows free passage (entry-exit) in both directions (fail safe) by pushing the door manually. Works compatible with fire warning and similar systems. At the end of an emergency situation, system returns to its normal operating mode.</p>	
Power-off Situation	<p>System allows free passage (entry-exit) in both directions (fail safe) by pushing the doors manually. Optionally, can be set entry-exit locked (fail secure). Free passage by manual override key in fail secure option is available.</p>	
Weight	<p>~260 kg</p>	
Cleaning, Maintenance, Manual Interference	<p>Gate is furnished by a programmable key switch button on one side of the gate adjacent to the door. This button is programmable for the function desired by the user and set as default for opening the door for cleaning-maintenance or can be programmed for various requirements (i.e. manually evacuation of the person inside, unlocking of the door, etc).</p>	
Optional Features and Accessories	<p>Weight sensor, interior biometric system mounting column, card reader mounting bracket, mounting/connection guide for any type of safety sensors and detectors, different color options, manual override key (with fail secure option), heater positive, battery back-up, RS232-RS485-TCP/IP modules, limiter, motorized card collector unit and card collection box.</p>	

ACCESSORIES



Automatic Drop (Retractable) Arm



Manual Controls



Counter



Coin Mechanism



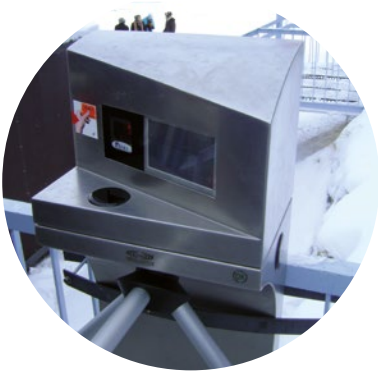
Card Reader Mounting Poles



Card Reader Mounting Brackets



CUSTOMISATIONS



CAME  **ÖZAK**

CAME ÖZAK

ÖZAK GEÇİŞ TEKNOLOJİLERİ

SAN. TİC. A.Ş.
Köseköy, Çuhane Cd.
N:130 41080 Kartepe
Kocaeli / TÜRKİYE
Tel.: +90 262 373 48 48

CORPORATE HEADQUARTERS

CAME S.p.A.
Via Martiri della Libertà, 15
31030 Dosson di Casier
Treviso - ITALY

MANUFACTURING COMPANIES

CAME GO S.r.l.
Pordenone, ITALY

CAME PARKARE GROUP S.L.
Barcelona, SPAIN

CAME URBACO
Vedene, FRANCE

ENTROTEC Limited
Livingston, UK

KEY MANAGEMENT SYSTEMS Limited
Buckinghamshire, UK

NEPOS SISTEMAS DE CONTROLE E AUTOMAÇÃO EM ESTACIONAMENTO E TRÁFEGO LTDA
São Paulo, BRAZIL

ÖZAK GEÇİŞ TEKNOLOJİLERİ SAN. TİC. A.Ş.
Kocaeli, TURKEY

COMMERCIAL BRANCHES EUROPE

ITALY
CAME ITALIA S.r.l.
Treviso

BELGIUM
CAME BENELUX S.A.
Lessines

CROATIA
CAME ADRIATIC d.o.o.
Kastav

FRANCE
CAME FRANCE S.A.S.
Paris

GERMANY
CAME DEUTSCHLAND GmbH
Stuttgart

IRELAND
CAME BPT IRELAND LIMITED
Dublin

THE NETHERLANDS
CAME NEDERLAND B.V.
Breda

POLAND
CAME POLAND Sp. z o.o.
Warszawa

PORTUGAL
CAME PORTUGAL,
UNIPESSOAL, LDA
Lisbon

RUSSIA
UMC RUS LLC
Moscow

SPAIN
CAME SPAIN S.A.
Madrid

THE UNITED KINGDOM
CAME BPT UK LIMITED
Nottingham

COMMERCIAL BRANCHES ASIA

INDIA
CAME INDIA AUTOMATION SOLUTIONS Pvt. Ltd.
New Delhi

U.A.E.
CAME GULF FZCO
Dubai

COMMERCIAL BRANCHES AMERICAS

BRAZIL
CAME DO BRASIL, INDÚSTRIA, IMPORTAÇÃO, EXPORTAÇÃO, COMÉRCIO E SERVIÇOS DE AUTOMAÇÃO LTDA
São Paulo

MEXICO
CAME AUTOMATISMOS § DE MEXICO S. DE R.L. DE C.V.
Mexico City

PERÚ
CAME PARKARE PERU S.A.C.
Lima

USA
CAME AMERICAS AUTOMATION LLC
Miami, FL

CANADA
CAME CANADA Inc.
Toronto



© CAME SPA - KOCENAU023 - 2023 - EN
ANY FULL OR PARTIAL REPRODUCTION OF THIS DOCUMENT IS PROHIBITED.
CAME RESERVES THE RIGHT TO MAKE ANY CHANGES TO THIS DOCUMENT AT ANY TIME.



CAME S.p.A.
has the following Quality, Environmental and Safety certifications:
ISO 9001
ISO 14001
ISO 45001

